

RoHS Compliant

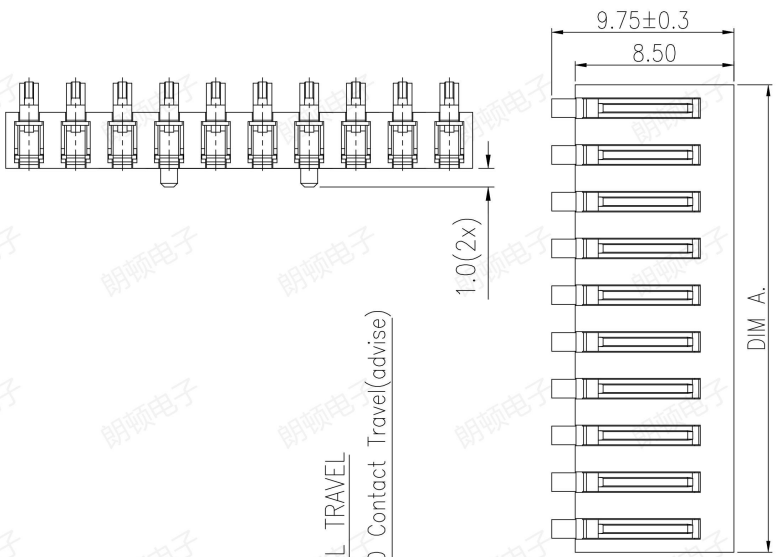
SYMBOL	REVISION	APPROVAL	DATE

SPECIFICATIONS

- ELECTRICAL CHARACTERISTICS:
  - 1-1.RATING: DC 12V 2A
  - 1-2.CONTACT RESISTANCE: 30mΩ MAX(INITAL)
  - 1-3.DIELECTRIC WITHSTANDING VOLTAGE: 500V AC FOR ONE MINUTE
  - 1-4.INSULATION RESISTANCE: 100MΩ MIN,MEASURED BY 500V DC
- FORCE:0.5-1.0mm CONTACT TRAVEL:100±30gf/P.
- LIFE TEST:MECHANICAL LIFE TEST 10,000 CYCLES.

1

1

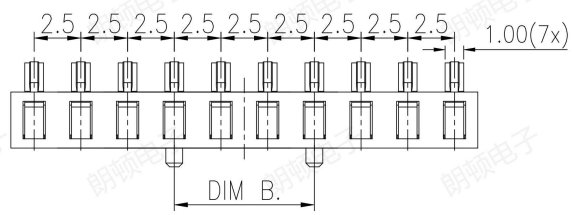


- ~○ #1
- ~○ #2
- ~○ #3
- ~○ #4
- ~○ #5
- ~○ #6
- ~○ #7
- ~○ #8
- ~○ #9
- ~○ #10

SCHEMATIC

2

2

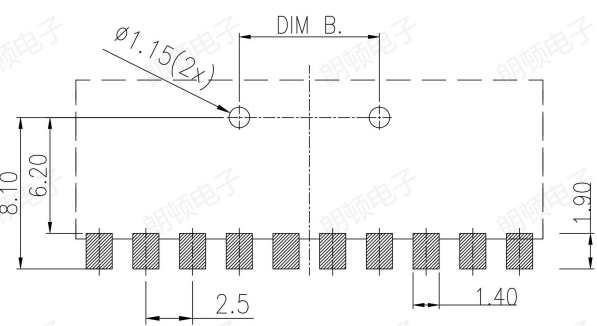


LABEL:

PART NO.	Dimension	
	DIM.A	DIM.B
BC-1-219	5.00	3.00
BC-1-339	7.50	5.00
BC-1-430	10.00	5.00
BC-1-514	12.50	5.00
BC-1-616	15.00	5.00
BC-1-706	17.50	5.00
BC-1-805	20.00	5.00

3

3



RECOMMENDED P.C.B LAYOUT  
TOP VIEW (TOLRANCE:±0.05)

No.	DESCRIPTION	MATERIAL	PLATING
1	CONTACT TERMINAL	PHOSPHOR COPPER	Au PLATED
2	HOUSING	LCP	BLACK

4

4

东莞市朗顿电子科技有限公司

COPYRIGHT RESERVED,PLEASE DO NOT COPY.

PART NAME		CONNECTOR		DRAWING	Z.L.Liang	DWG.No.	DS-305
PART NO.		BC-1-219 339 430 514 616 706 805		CHECK	G.C.Chen	REV.	A0
UNIT	TOLERANCE UNLESS OTHERWISE SPECIFIED	X.X ± 0.3		ANGLE	APPROVAL	DATE	2023-May-25
		X.XX ± 0.2					
mm		X.XXX ± 0.1		SCALE	1:1	PAGE	1 OF 1