

F

E

D

C

B

A

RoHS Compliant

SYMBOL	REVISION	APPROVAL	DATE

SPECIFICATIONS

- ELECTRICAL CHARACTERISTICS:
 - 1-1.RATING: DC 12V 2A
 - 1-2.CONTACT RESISTANCE: 30mΩ MAX(INITAL)
 - 1-3.DIELECTRIC WITHSTANDING VOLTAGE: 500V AC FOR ONE MINUTE
 - 1-4.INSULATION RESISTANCE: 100MΩ MIN,MEASURED BY 500V DC
- FORCE:0.5-1.0mm CONTACT TRAVEL:100±30gf/P.
- LIFE TEST:MECHANICAL LIFE TEST 10,000 CYCLES.

- ^—○ #1
- ^—○ #2
- ^—○ #3
- ^—○ #4
- ^—○ #5
- ^—○ #6
- ^—○ #7
- ^—○ #8
- ^—○ #9
- ^—○ #10

SCHEMATIC

1

1

2

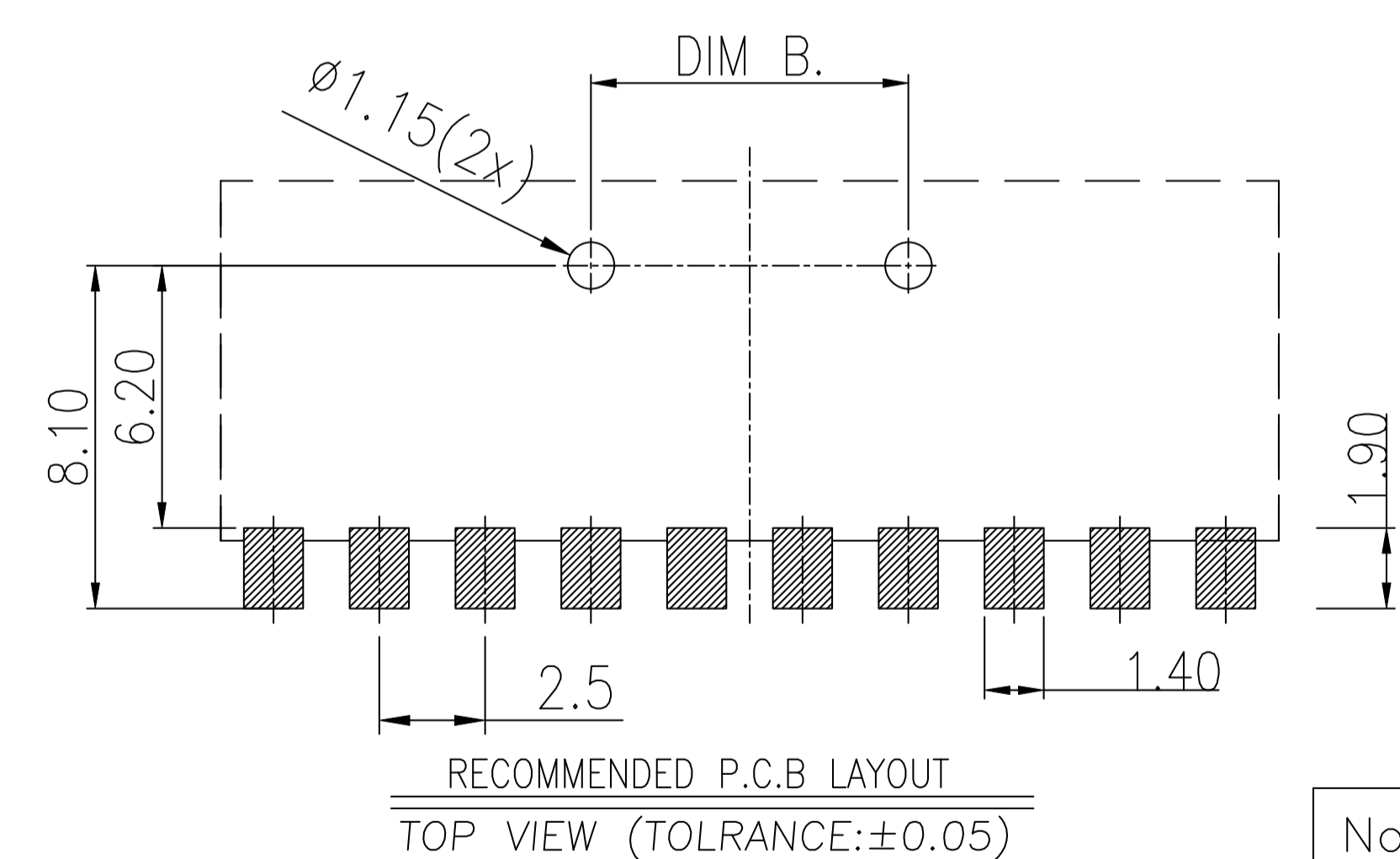
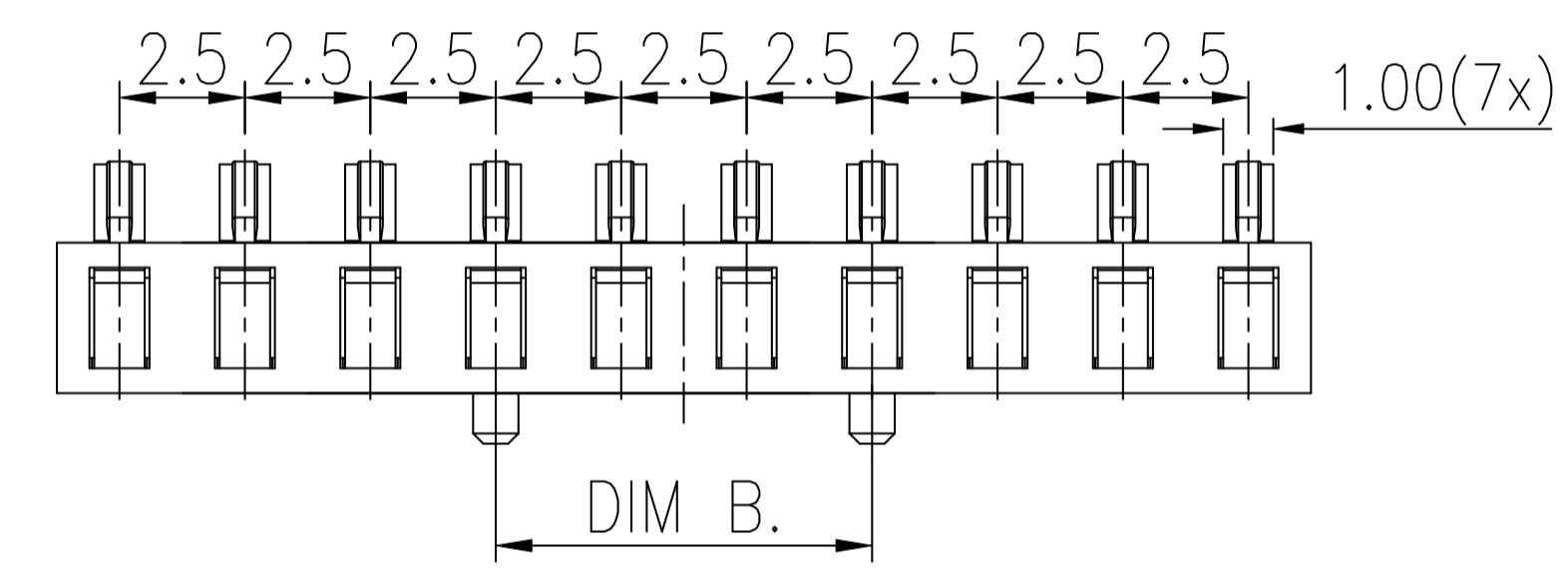
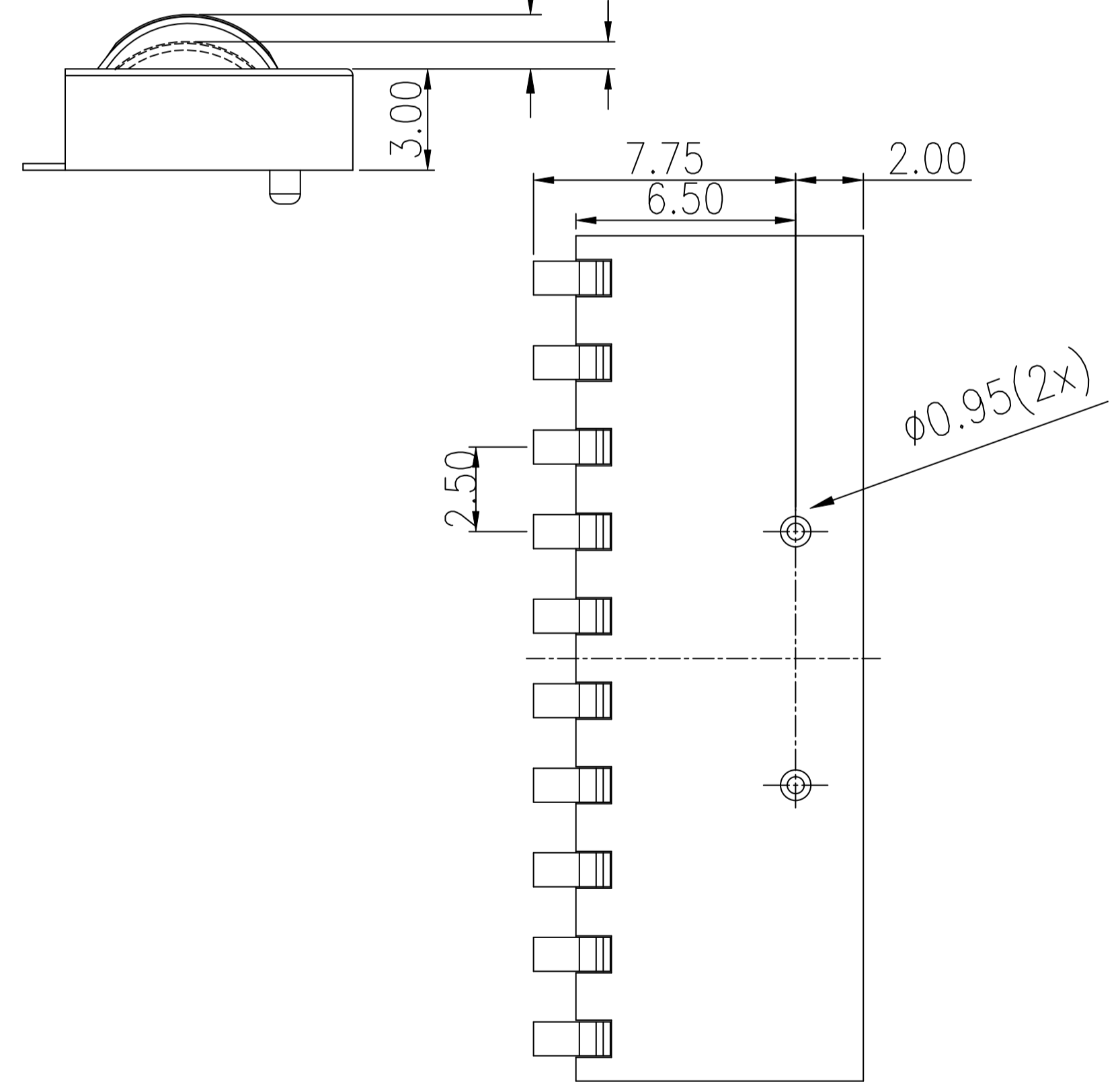
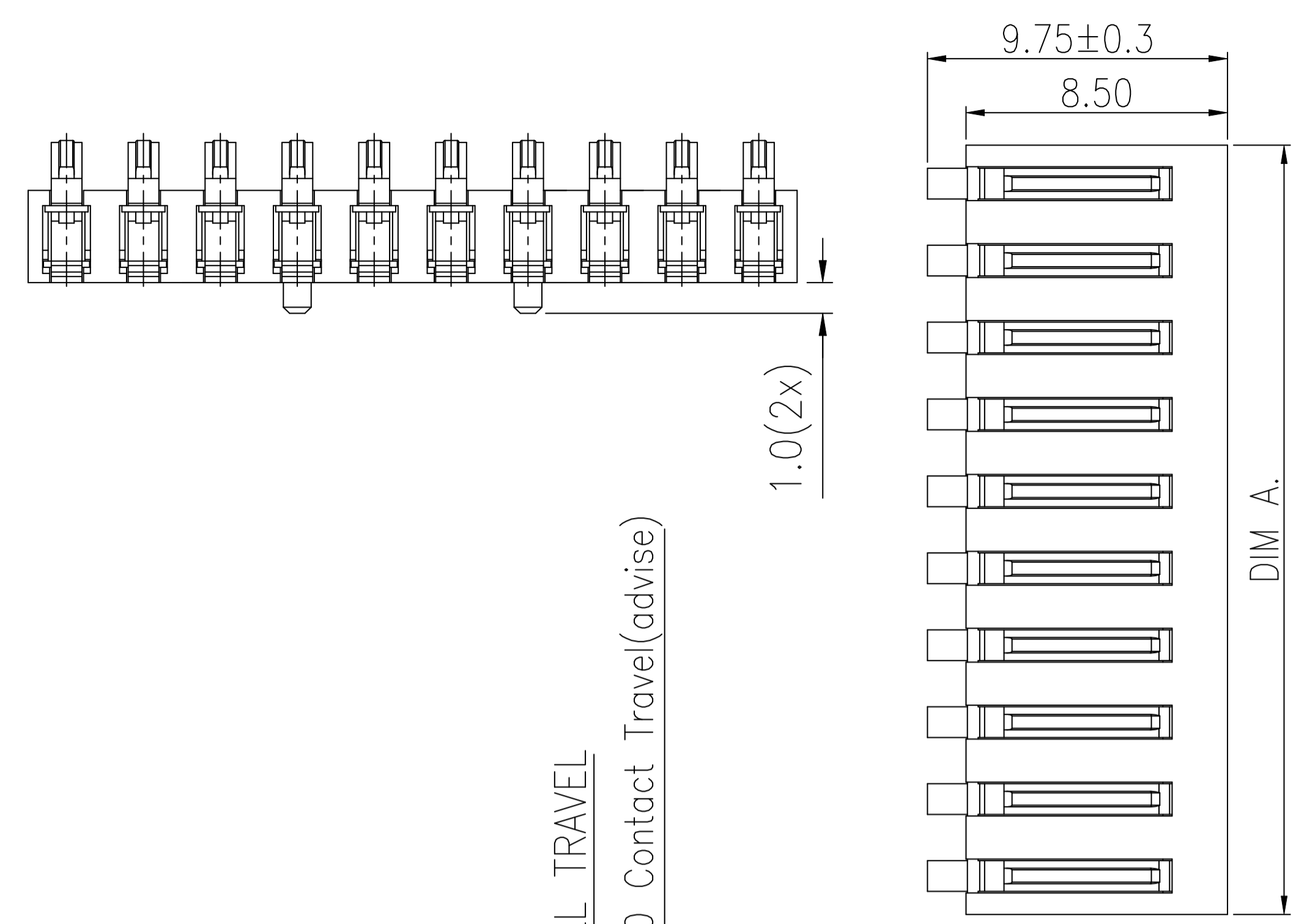
2

3

3

4

4



LABEL:

PART NO.	Dimension	
	DIM.A	DIM.B
BC-1-219	5.00	3.00
BC-1-339	7.50	5.00
BC-1-430	10.00	5.00
BC-1-514	12.50	5.00
BC-1-616	15.00	5.00
BC-1-706	17.50	5.00
BC-1-805	20.00	5.00

No.	DESCRIPTION	MATERIAL	PLATING
1	CONTACT TERMINAL	PHOSPHOR COPPER	Au PLATED
2	HOUSING	LCP	BLACK

东莞市朗顿电子科技有限公司

COPYRIGHT RESERVED,PLEASE DO NOT COPY.

PART NAME	CONNECTOR			DRAWING	Z.L.Liang	DWG.No.	DS-305
PART NO.	BC-1-219 339 430 514 616 706 805			CHECK	G.C.Chen	REV.	A0
UNIT	TOLERANCE UNLESS OTHERWISE SPECIFIED	X.X ± 0.3 X.XX ± 0.2 X.XXX ± 0.1	ANGLE	APPROVAL	G.C.Chen	DATE	2023-May-25
				SCALE	1:1	PAGE	1 OF 1

F

E

D

C

B

A