

F

E

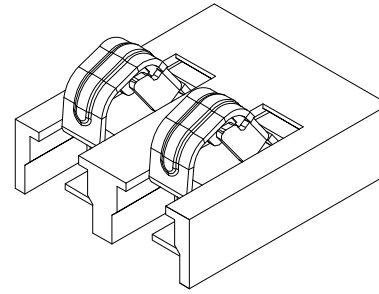
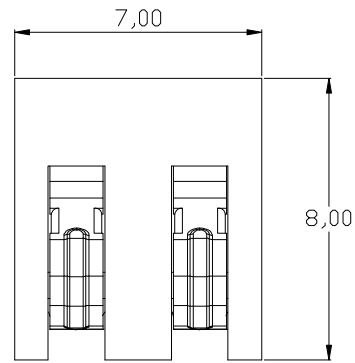
D

C

B

A

1



性能:

额定电流: 5.0A

额定电压: 24V

耐电压: 500V

接触电阻: 30mΩ MAX

绝缘电阻: 500MΩ

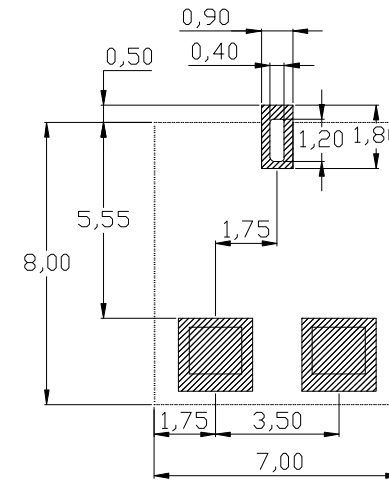
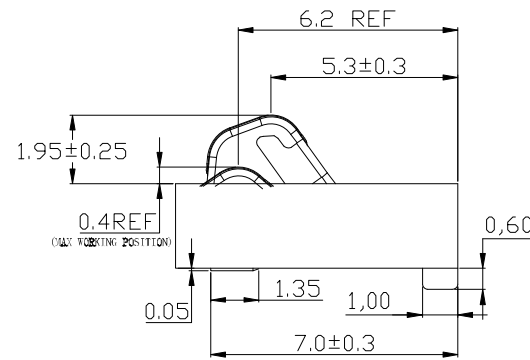
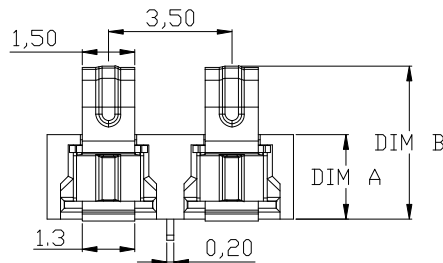
工作温度: -40℃~+85℃

塑件(材质): LCP E130I, 耐高温260℃

弹片(材质): 磷青铜C5210, 触点镀金3U

按压寿命: 5000次以上

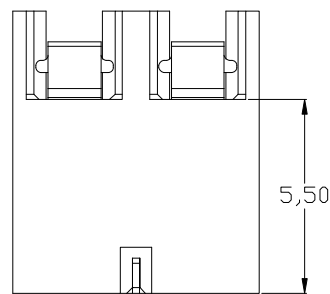
2



RECOMMENDED PCB LAYOUT

TOP VIEW (.XX±0.05)

3



4

PART NO.	DIM A	DIM B	2	HOUSING	LCP	1	BLACK
BC-1-222-C01	2.4	4.35±0.25	1	CONTACT TERMINAL	PHOSPHOR BRONZE	3	Au PLATED
BC-1-222A-C01	3.5	5.45±0.25	NO.	PARTS	MATERIAL	QTY.	FINISHING

东莞市朗顿电子科技有限公司

PART NAME		CONNECTOR		DRAWING	G.B.Wu	DWG.No.	DS-BC-111
PART NO.		BC-1-222 222A-C01		CHECK	Q.L.Dai	REV.	A0
	UNIT : mm	TOLERANCE	UP TO 5	±0.2	APPROVAL	DATE	17-06-2023
		OTHERWISE	ABOVE 5	±0.3		ANGLE	PAGE
			ABOVE 30	±0.5	SCALE	2:1	
			ANGLE	±3'			

COPYRIGHT RESERVED, PLEASE DO NOT COPY.

F

E

D

C

B

A