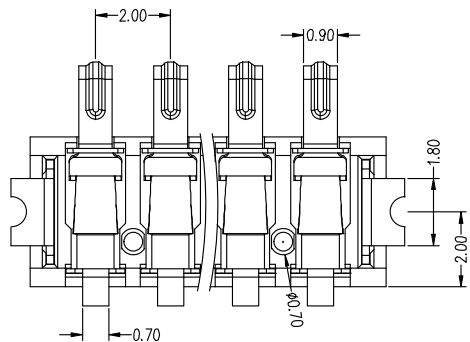
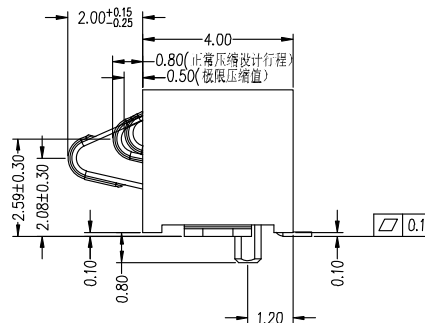
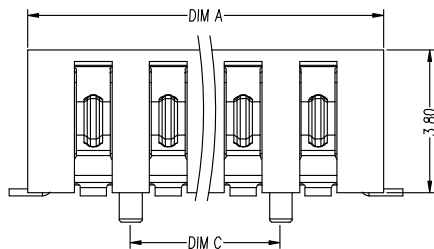


RECOMMENDED PCB LAYOUT  
TOL: (<math>\pm 0.05</math>) 请勿走线



性能:

- 额定电流: 2.0A
- 额定电压: 12V
- 耐电压: 500V
- 接触电阻: 30mΩ MAX
- 绝缘电阻: 500MΩ
- 工作温度: -40℃ ~ +85℃
- 塑件(材质): LCP
- 接触点(材质): 磷铜, 镀金3U
- 使用寿命: 3000次以上

PART NO.	DIM A	DIM B	DIM C
BC-2-374	7.50	4.0	2.0
BC-2-415	9.50	6.0	4.0
BC-2-506	11.5	8.0	6.0
BC-2-606	13.5	10.0	8.0

NO.	PARTS	MATERIAL	QTY.	FINISHING
2	HOUSING	LCP	1	BLACK
1	CONTACT TERMINAL	PHOSPHORUS COPPER	3	Au PLATED

# 东莞市朗顿电子科技有限公司

COPYRIGHT RESERVED, PLEASE DO NOT COPY.

PART NAME		CONNECTOR		DRAWING		G.B.Wu		DWC.No.		DS-BC-183	
PART NO.		BC-2-374 415 506 606		CHECK		Q.L.Dai		REV.		A0	
UNIT	TOLERANCE	UP TO 5		ANGLE	APPROVAL	DATE		PAGE		25-09-2022	
		mm	OTHERWISE			ABOVE 5 30 ~	±0.2	0°±3'	SCALE	2:1	1 OF 1