

F

E

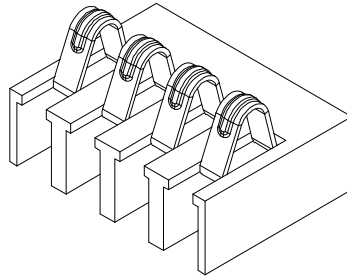
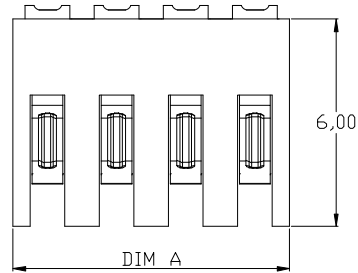
D

C

B

A

1



性能:

额定电流: 2.0A

额定电压: 12V

耐电压: 500V

接触电阻: 30mΩ MAX

绝缘电阻: 500MΩ

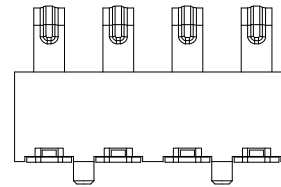
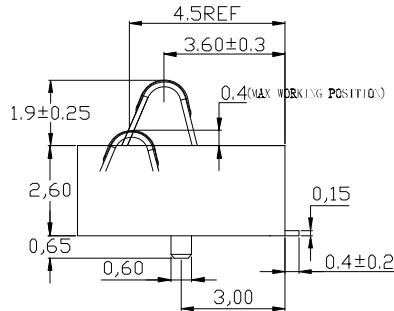
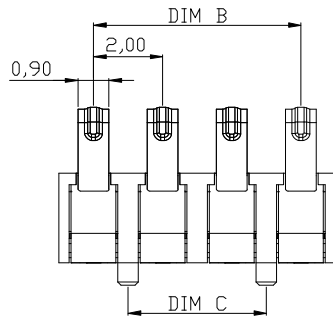
工作温度: -40℃ ~ +85℃

塑件(材质): LCP黑色

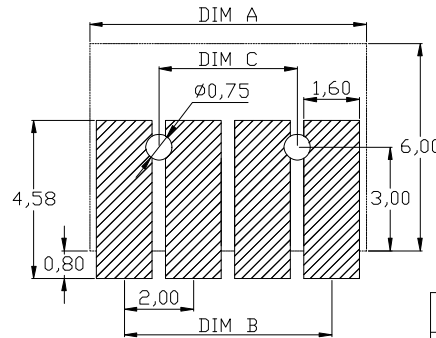
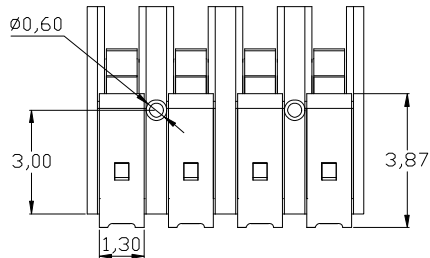
接触点(材质): 铜合金, 触点镀金3U

使用寿命: 3000次以上

2



3

RECOMMENDED PCB LAYOUT
TOL:(±0.05)

Pin(N)	PART NO.	DIM A	DIM B	DIM C
2Pin	BC-1-225-H	4.0	2.0	
3Pin	BC-1-345-H	6.0	4.0	2.0
4Pin	BC-1-436-H	8.0	6.0	4.0
5Pin	BC-1-520-H	10.0	8.0	6.0
6Pin	BC-1-622-H	12.0	10.0	8.0
7Pin	BC-1-712-H	14.0	12.0	10.0
8Pin	BC-1-810-H	16.0	14.0	12.0

4

2	HOUSING	LCP	1	BLACK
1	CONTACT TERMINAL	PHOSPHOR BRONZE	3	Au PLATED
NO.	PARTS	MATERIAL	QTY.	FINISHING

东莞市朗顿电子科技有限公司

PART NAME	CONNECTOR		DRAWING	G.B.Wu	DWG.No.	DS-BC-305
PART NO.	BC-1-225 345 436 520 622 712 810-H		CHECK	Q.L..Dai	REV.	A0
UNIT :	TOLERANCE	UP TO 5	±0.2	APPROVAL	DATE	23-07-2023
mm	OTHERWISE	ABOVE 5 ~ 30	±0.3	SCALE	PAGE	1 OF 1
		ABOVE 30	±0.5			
		ANGLE	±3°			

COPYRIGHT RESERVED, PLEASE DO NOT COPY.

F

E

D

C

B

A