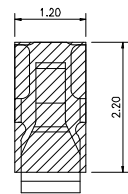
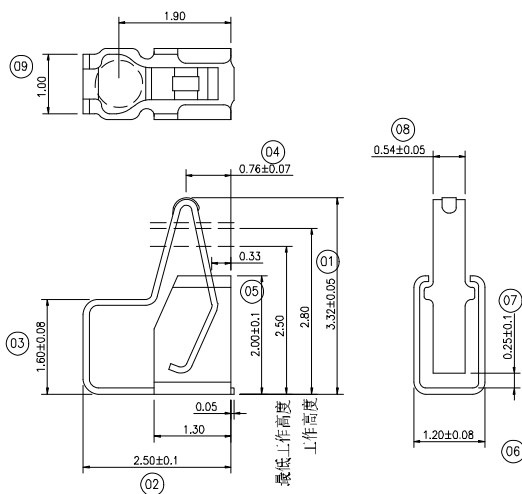


Rev.	ECN Number	Description	Date	Drawn	Checkd	Approved



RECOMMENDED PCB LAYOUT  
TOLERANCE ±0.05MM

NOTES:  
 1: 材質 SUS304  
 2: 表面處理 整體鍍線 50", 触点鍍5度, 彈簧位置鍍金1度  
 3: 性能:  
 接觸電阻: 50mΩ MAX.  
 使用溫度: -20° C~+85° C.  
 工作高度位置接觸點壓力0.6N ~ 0.9N  
 4: 包裝: 卷帶包裝

朗頓電子

GENERAL TOLERANCE	XX. ±0.50	SCALE: 1:1	DRAWN 陈	DATE 2023.9.24	DWG. NO.	TITLE (CUSTOMER DRAWING) Antenna Spring,SMT, L2.5*W1.2*H3.3mm	REV. A	
	X. ±0.35	UNIT: mm	CHECK	DATE			PARTS NO.(INTENDED USE)	SHEET
	.X ±0.25	.X* ±1.0*	SIZE: A4	APPROVE	DATE		AS-049A	1/1
	.XX ±0.15	.XX* ±0.5*						