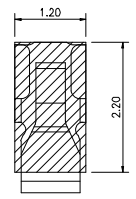
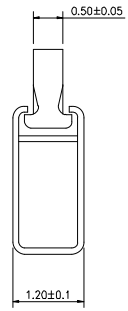
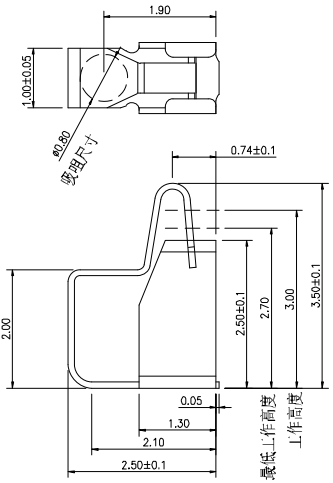
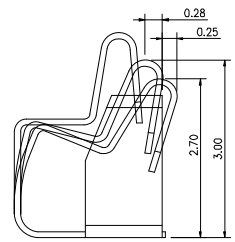


Rev.	ECN Number	Description	Date	Drawn	Checkd	Approved



RECOMMENDED PCB LAYOUT
TOLERANCE ±0.05MM



工作高度状态

- NOTES:
 1: 材质 SUS304
 2: 表面处理 整体镀镍 50", 触点与焊盘位置镀金1u"
 3: 性能:
 接触电阻: 50mΩ MAX.
 使用温度: -20° C~+65° C.
 工作高度位置接触点压力0.5N
 4: 包装: 卷带包装

朗顿电子

GENERAL TOLERANCE		SCALE: 1:1	DRAWN 陈	DATE 2022.2.24	DWG. NO.	TITLE (CUSTOMER DRAWING) Antenna Spring,SMT, L2.5*W1.2*H3.5mm	REV.
XX. ±0.50	X. ±0.35	UNIT: mm	CHECK	DATE	PARTS NO.(INTENDED USE) AS-054		A
.X ±0.25	.X* ±1.0*	SIZE: A4	APPROVE	DATE		SHEET	1/1
.XX ±0.15	.XX* ±0.5*						