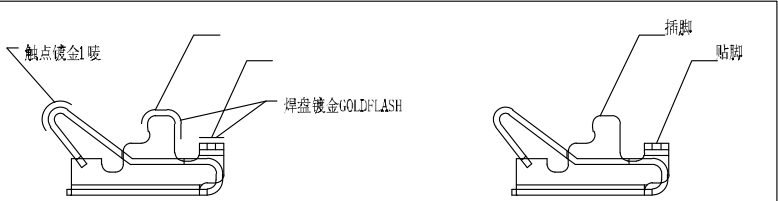
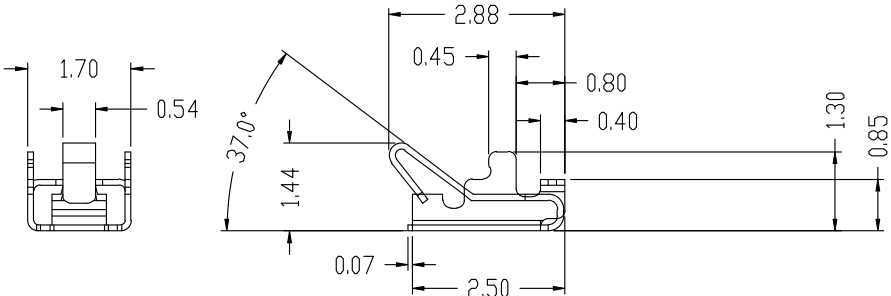
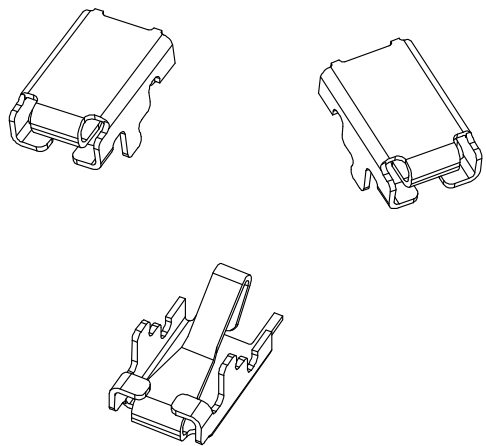




Rev.	ECN Number	Description	Date	Drawn	Checkd	Approved



NOTES:
 1: 材质 SUS304
 2: 表面处理 整体镀镍 50", 触点镀金1u", 焊盘镀金GOLDFLASH
 3, 性能:
 接触电阻: 50mΩ MAX.
 使用温度: -20° C~+65° C.
 4, 包装.: 卷带包装

朗顿电子

GENERAL TOLERANCE	XX ± 0.50	SCALE: 1:1	DRAWN Chen	DATE 2023. 2. 13	DWG. NO.	TITLE (CUSTOMER DRAWING) 2.5X1.7X1.4	REV. A
	X ± 0.35		X° ± 2.0°	CHECK			DATE
	.X ± 0.15	.X° ± 1.0°	APPROVE	DATE	PARTS NO.(INTENDED USE) AS-204		1/1
	.XX ± 0.1	.XX° ± 0.5°		SIZE: A4			