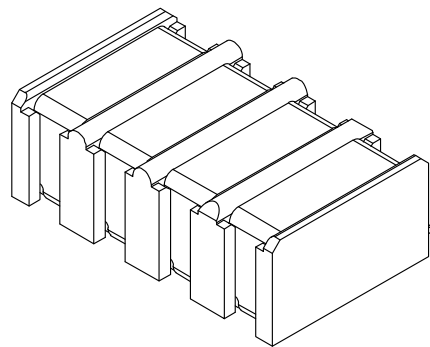


RECOMMENDED PCB LAYOUT  
TOP VIEW (. XX±0.05)



性能:

额定电流: 2.0A

额定电压: 12V

耐电压: 500V

接触电阻: 30mΩ MAX

绝缘电阻: 500MΩ

工作温度: -40℃~+85℃

使用寿命: 5000次以上

塑件(材质): LCP BLACK

接触点(材质): 黄铜C2680,

接触面镀金3U, 焊脚镀金1U

2	HOUSING	PA9T	1	BLACK
1	CONTACT TERMINAL	BRASS	3	Au PLATED
NO.	PARTS	MATERIAL	QTY.	FINISHING

东莞市朗顿电子科技有限公司

COPYRIGHT RESERVED, PLEASE DO NOT COPY.

PART NAME		CONNECTOR		DRAWING		G.B.Wu		DWG.No.		DS-BC-101	
PART NO.		BC-0-401A		CHECK		Q.L.Dai		REV.		A0	
UNIT : mm	TOLERANCE OTHERWISE	UP TO 5	±0.2	ANGLE	APPROVAL	SCALE	2:1	DATE	28-08-2017		
		ABOVE 5 30 ~	±0.3						PAGE	1 OF 1	
		ABOVE 30	±0.5								
		ANGLE	±3°								