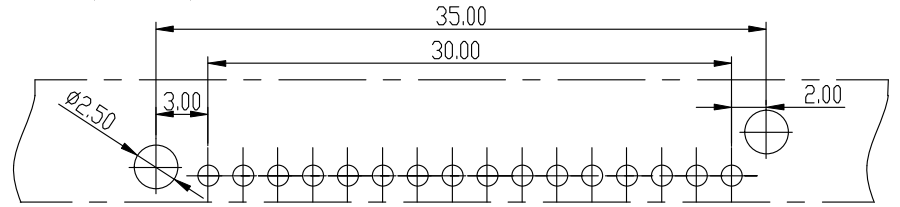
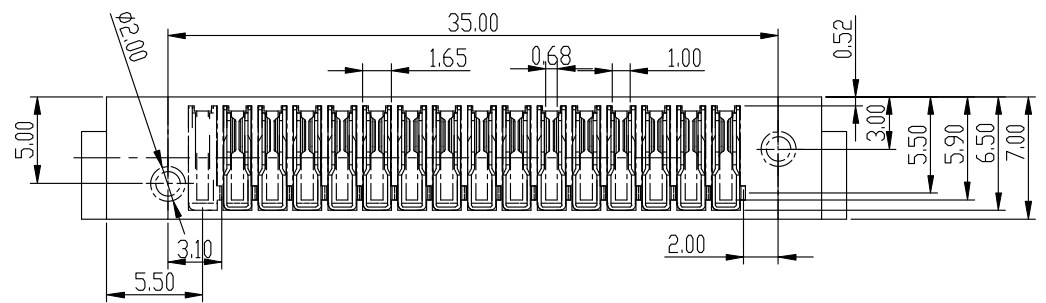
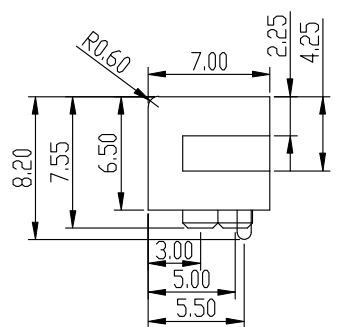
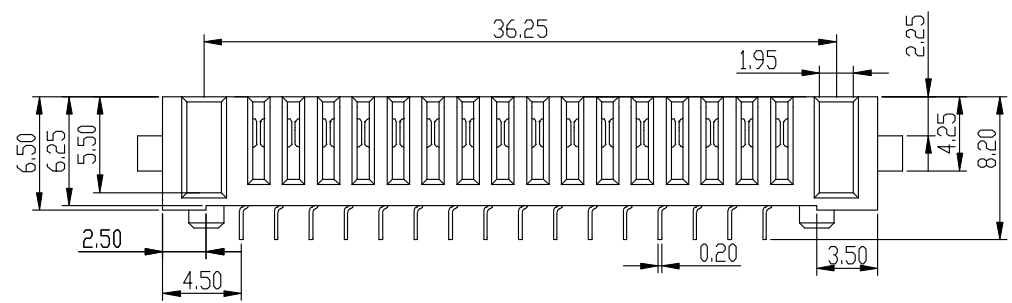
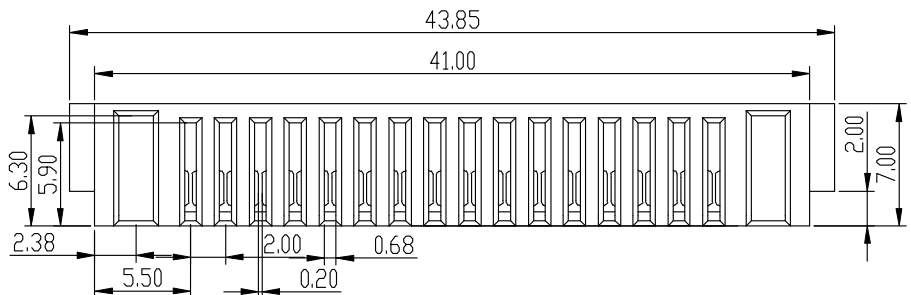


REV.	DESCRIPTION	DRAW.	DATE.



Recommended P.C.B Layout

Material
 Insulator : Nylon 9T (UL94V-0)
 Contact : Phosphor Bronze
 Contact Plated : Gold over Nickel or Tin
 Specification
 Current Rating : 5A
 Instant Current : 7A
 Contact Resistance : 30mΩ
 Insulation Resistance : 100MΩ
 Dielectric Voltage : 500V
 Operating Temperature : -40~105°

东莞市朗顿电子科技有限公司

UNLESS OTHERWISE SPECIFIED, TOLERANCE:
 X. ±0.20
 X.x ±0.15
 X.xx ±0.10
 ANGULAR ±2°

DESIGN		DATE		TITLE: BATTERY FEMALE 2.0PITCH BOARD TO BOARD CONNECTOR	
APPROVED		DATE			
PART NO	LD-A01F-16P-H1	REV:	01	SCALE: 1:1	UNIT: mm
DRAWING NO	LD-A01F-16P-H1	SIZE:	A4	SHEET: 1/1	