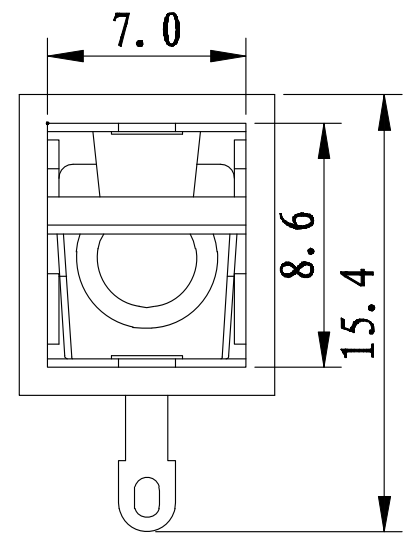
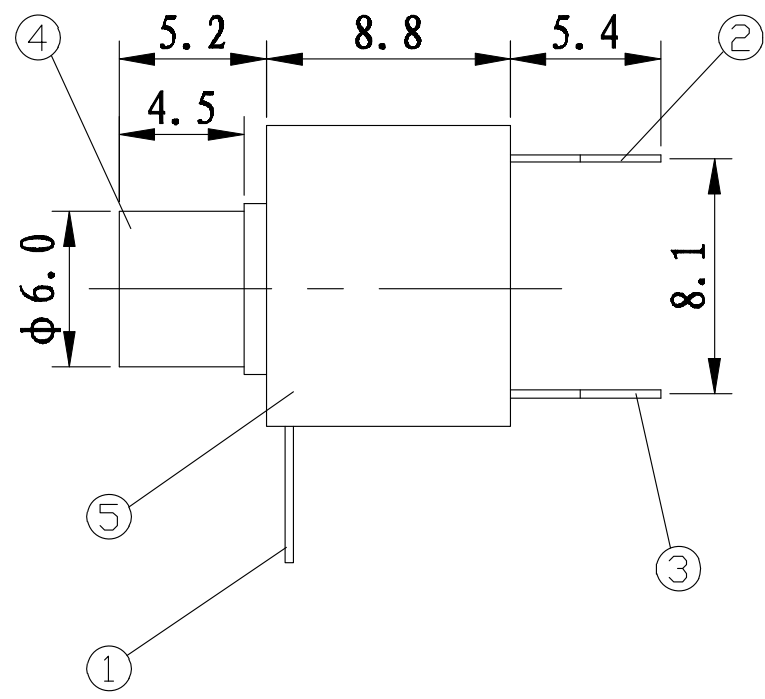
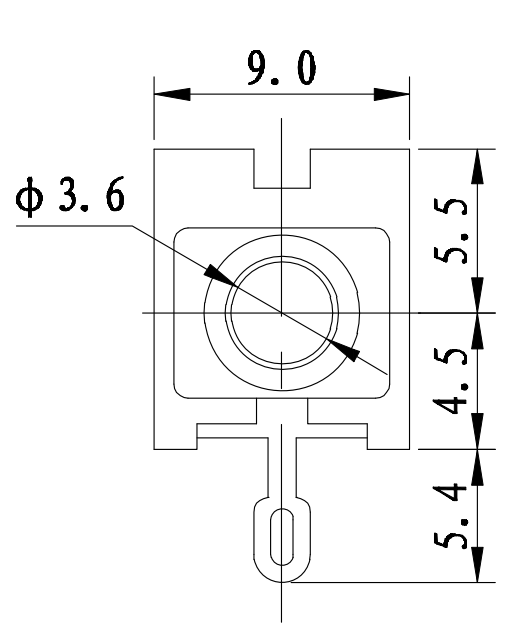


SCHEMATIC



# DONGGUAN LANGDUN ELECTRONIC CO., LTD.

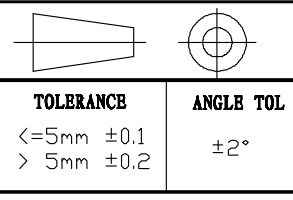
TITLE : PHONE JACK

MODEL : PJ-301

UNIT : MM    DWN.    DATE

SCALE : 4 : 1    CHK'D    DATE

VERSION    01    APPD.    DATE



NO.	PART NAME	MATERIAL	QTY	FINISHING
3	TERMINAL B/C	PBS STRIP t=0.2mm	2	Ag PLATED
2	TERMINAL D	BRASS STRIP t=0.4mm	1	Ag PLATED
1	HOUSING	PBT	1	BLACK/GREEN