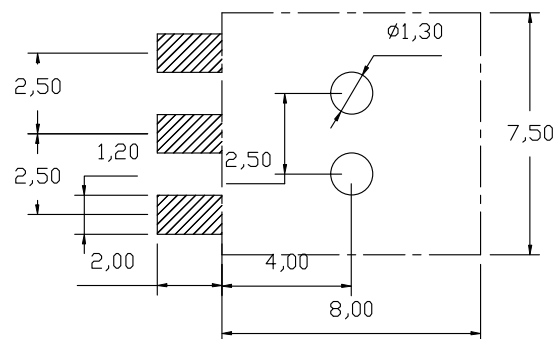
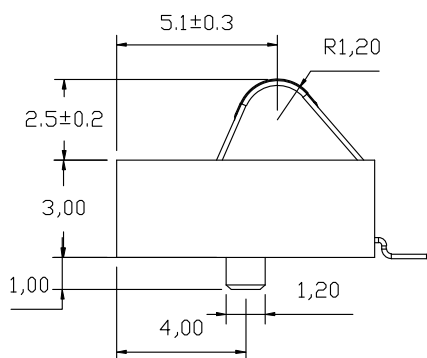
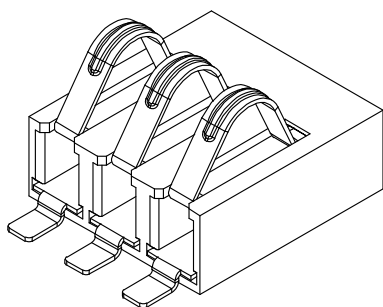


性能:

- 额定电流: 2.0A
- 额定电压: 12V
- 耐电压: 500V
- 接触电阻: 30m Ω
- 绝缘电阻: 500M Ω
- 工作温度: -40 $^{\circ}$ C ~ +85 $^{\circ}$ C
- 塑件(材质): LCP
- 接触点(材质): 磷铜, 镀金



RECOMMENDED PCB LAYOUT
TOP VIEW (. XX ± 0.05)

2	HOUSING	LCP	1	BLACK
1	CONTACT TERMINAL	PHOSPHOR BRONZE	3	Au PLATED
NO.	PARTS	MATERIAL	QTY.	FINISHING

东莞市朗顿电子科技有限公司

COPYRIGHT RESERVED, PLEASE DO NOT COPY.

PART NAME		CONNECTOR		DRAWING	G.B.Wu	DWG.No.	DS-BC-112
PART NO.		BC-1-336		CHECK	Q.L.Dai	REV.	A0
UNIT : mm	TOLERANCE OTHERWISE	UP TO 5	±0.2	ANGLE	APPROVAL	DATE	06-03-2022
		ABOVE 5 30 ~	±0.3			PAGE	1 OF 1
		ABOVE 30	±0.5	SCALE	2:1		
		ANGLE	±3°				