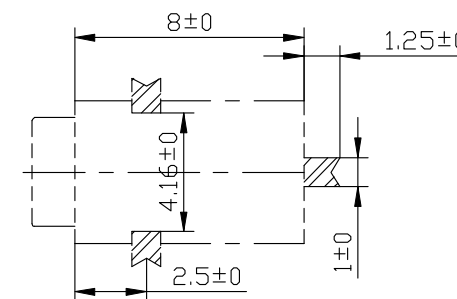
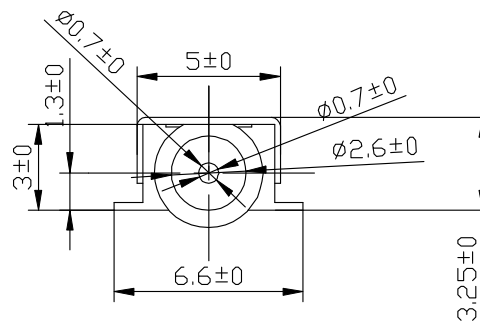
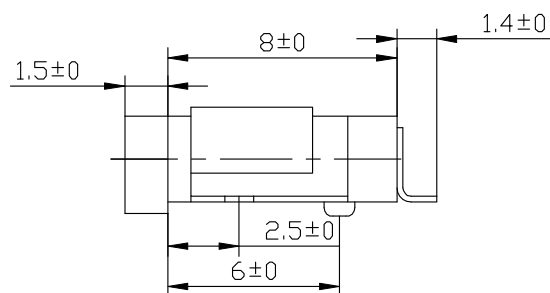




**SCHEMATIC**



PINf 0.6  
PINf 0.7

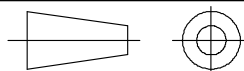
HOLE LAYOUT

# DONGGUAN LANGDUN ELECTRONIC CO., LTD.

TITLE : DC POWER JACK

MODEL : DC-055B

UNIT : MM	DWN.	DATE
SCALE : 4 : 1	CHK'D	DATE
VERSION 01	APPD.	DATE



**TOLERANCE**  
<=5mm ±0.1  
> 5mm ±0.2

**ANGLE TOL**  
±2°

NO.	PART NAME	MATERIAL	QTY	FINISHING
5	TERMINAL C	BRASS STRIP	2	Ag PLATED
4	TERMINAL B	PBS STRIP	1	Ag PLATED
3	TERMINAL A	BRASS STRIP	2	Ag PLATED
2	PIN	BRASS	1	Ag PLATED
1	CASE	NYLON	1	BLACK