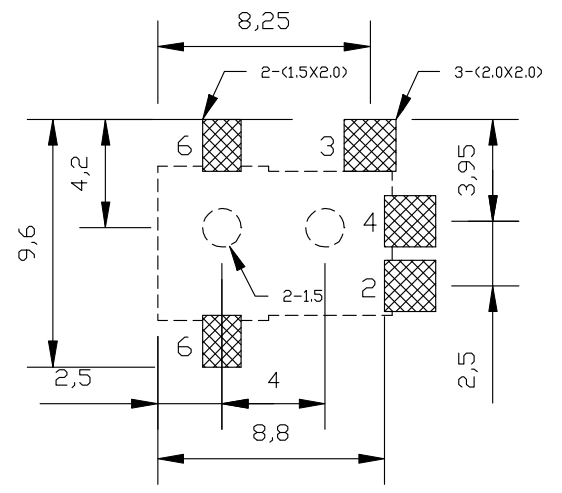
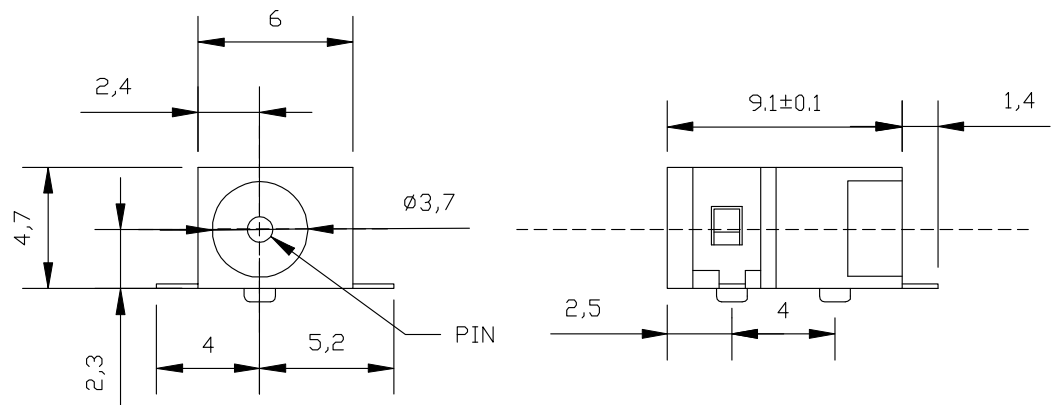


**SCHEMATIC**



PIN	Ø1.0	Ø1.3
-----	------	------

HOLE LAYOUT

# DONGGUAN LANGDUN ELECTRONIC CO., LTD.

TITLE : DC POWER JACK			
MODEL : DC-045B			
UNIT : MM	DWN.	DATE	
SCALE : 4 : 1	CHK'D	DATE	
VERSION : 01	APPD.	DATE	

TOLERANCE	ANGLE TOL
<=5mm ±0.1	±2°
> 5mm ±0.2	

NO.	PART NAME	MATERIAL	QTY	FINISHING
5	TERMINAL C	BRASS STRIP	2	Ag PLATED
4	TERMINAL B	PBS STRIP	1	Ag PLATED
3	TERMINAL A	BRASS STRIP	2	Ag PLATED
2	PIN	BRASS	1	Ag PLATED
1	CASE	NYLON	1	BLACK