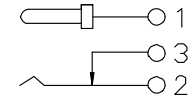
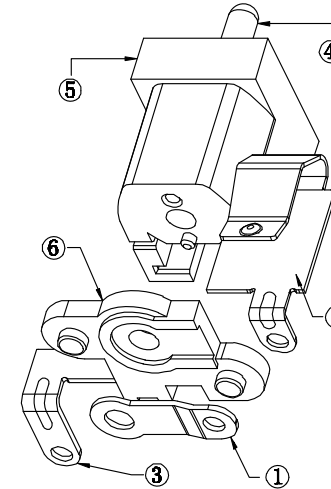
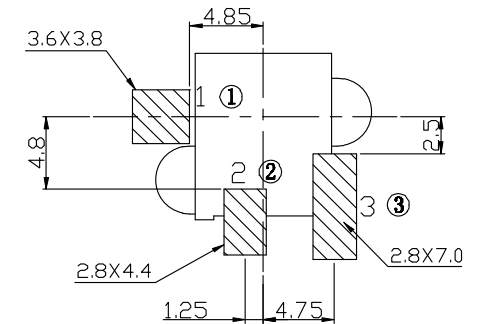
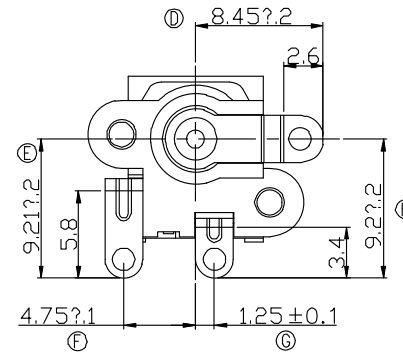
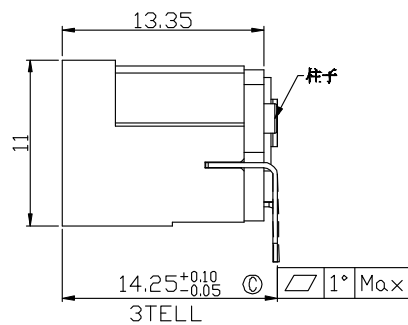
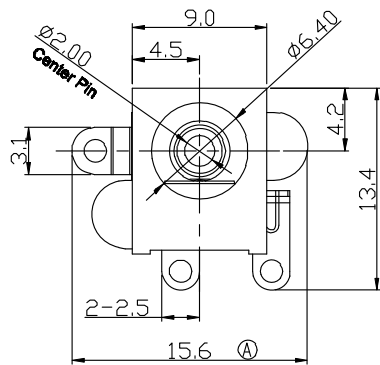


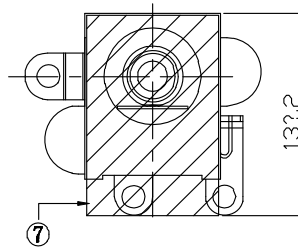
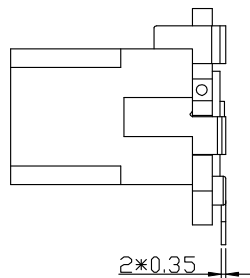
MATE PLUG



SCHEMATIC



HOLE LAYOUT

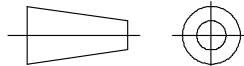


DONGGUAN LANGDUN ELECTRONIC CO., LTD.

TITLE : DC POWER JACK

MODEL : DC-005T

UNIT :	MM	DWN.		DATE	
SCALE :	4 : 1	CHK'D		DATE	
VERSION	01	APPD.		DATE	



TOLERANCE
 $\le 5\text{mm}$ ± 0.1
 > 5mm ± 0.2

ANGLE TOL
 $\pm 2^\circ$

NO.	PART NAME	MATERIAL	QTY	FINISHING
5	TERMINAL C	BRASS STRIP	2	Ag PLATED
4	TERMINAL B	PBS STRIP	1	Ag PLATED
3	TERMINAL A	BRASS STRIP	2	Ag PLATED
2	PIN	BRASS	1	Ag PLATED
1	CASE	NYLON	1	BLACK