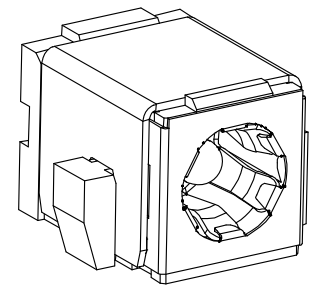
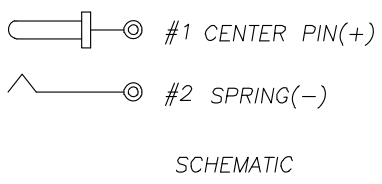
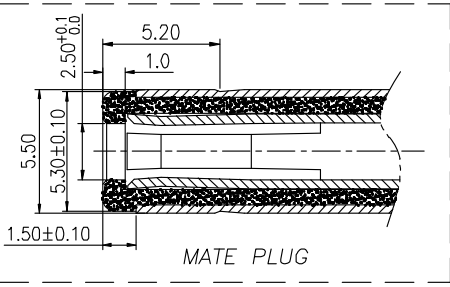
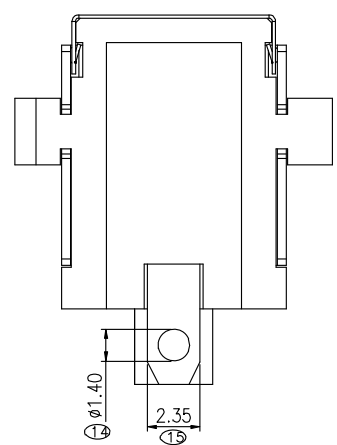
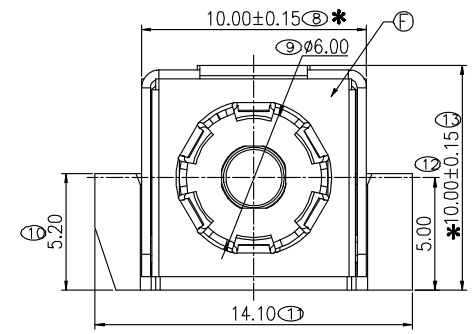
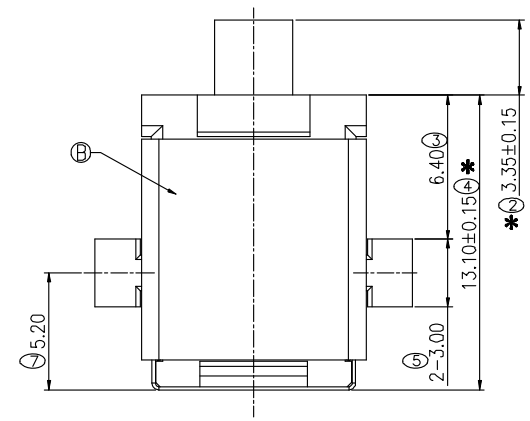
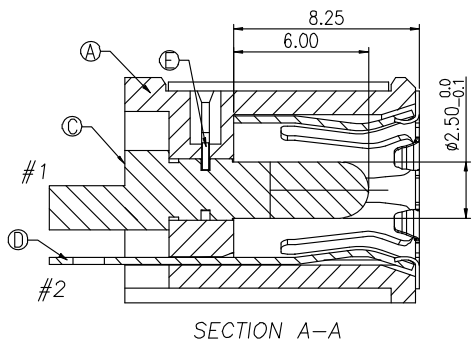


REV.	ECN NO.	DESCRIPTION	DESIGN	DATE
A	20150115001	初版发行	liuwendong	2015.01.15



- SPECIFICATIONS:
- ELECTRICAL CHARACTERISTICS:
 - 1-1. RATING: 20V 10A
 - 1-2. CONTACT RESISTANCE: 30mΩ MAX.(INITIAL)
 - 1-3. DIELECTRIC WITHSTANDING VOLTAGE: 500V AC FOR ONE MINUTE
 - 1-4. INSULATION RESISTANCE: 100MΩ MIN. MEASURED BY 500V DC
 - MECHANICAL CHARACTERISTICS:
 - 2-1. INSERTION FORCE : 3.0 Kgf MAX.
 - 2-2. WITHDRAWAL FORCE : 0.3Kgf MIN.
 - LIFE TEST: 5,000 CYCLES MIN.

NO.	DESCRIPTION	QTY	MATERIAL	PLATING & COLOR
F	COVER	1	SUS t=0.15	
E	STOPPER	1	SUS t=0.30	
D	TERMINAL SPRING	1	COPPER ALLOY t=0.30	Sn 60u"/Ni 50u"
C	CENTER PIN	1	COPPER ALLOY	GOLD FLASH
B	SHELL	1	SUS t=0.40	
A	HOUSING	1	THERMOPLASTIC	BLACK

UNLESS OTHERWISE SPECIFIED TOLERANCES

东莞市朗顿电子科技有限公司

DECIMALS:		ANGLES:		DWG NO.	PART NAME:	
DIM	TOL	DIM	TOL	DESIGN:	DC POWER JACK	
X.	±0.50	X.	±2°	liuwendong	PART NO.	
X.X	±0.30	X.X	±1°	2015.01.15	DC-118	
X.XX	±0.20	X.XX	—	CHECK:	REV.	UNIT: SHEET:
X.XXX	±0.10	X.XXX	—	APPROVED	C	mm 1/1