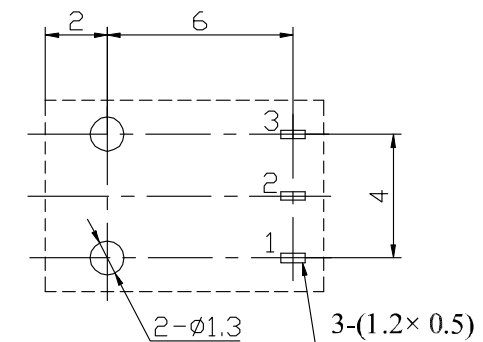
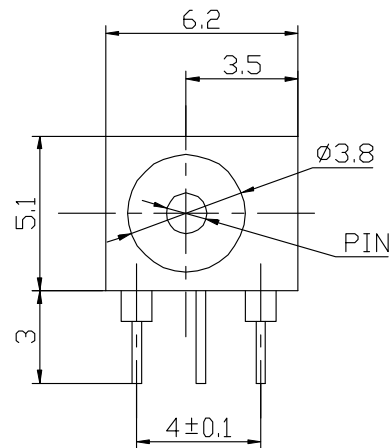
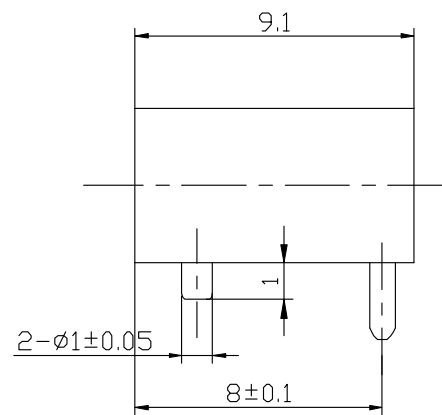


SCHEMATIC



PIN f 1.0
PIN f 1.3

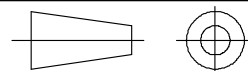
HOLE LAYOUT

DONGGUAN LANGDUN ELECTRONIC CO., LTD.

TITLE : DC POWER JACK

MODEL : DC-003

UNIT : MM	DWN.	DATE
SCALE : 4 : 1	CHK'D	DATE
VERSION 01	APPD.	DATE



TOLERANCE
<=5mm ±0.1
> 5mm ±0.2

ANGLE TOL
±2°

NO.	PART NAME	MATERIAL	QTY	FINISHING
5	TERMINAL C	BRASS STRIP	2	Ag PLATED
4	TERMINAL B	PBS STRIP	1	Ag PLATED
3	TERMINAL A	BRASS STRIP	2	Ag PLATED
2	PIN	BRASS	1	Ag PLATED
1	CASE	NYLON	1	BLACK