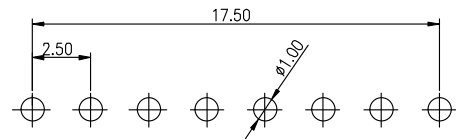
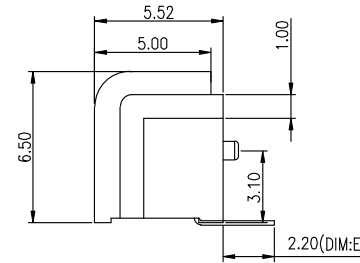
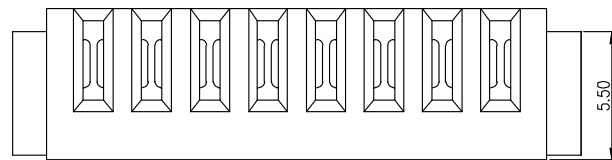
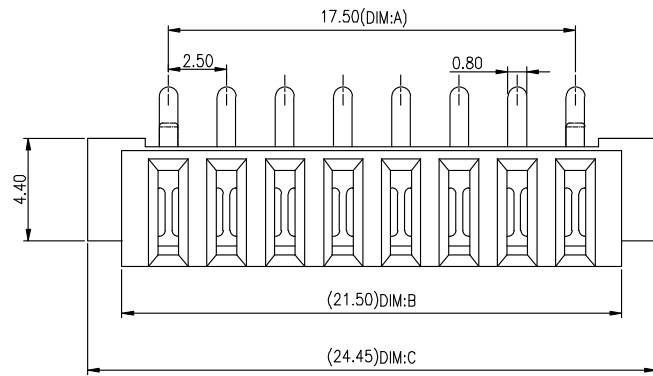


REV.	DESCRIPTION	DRAW.	DATE.

No:of pins	Dimension			
	DIM.A	DIM.B	DIM.C	DIM.E
03	5.00	9.00	11.95	2.20
04	7.50	11.50	14.45	2.20
05	10.00	14.00	16.95	2.20
06	12.50	16.50	19.45	2.20
07	15.00	19.00	21.96	2.20
08	17.50	21.50	24.45	2.20
09	20.00	24.00	26.95	2.20
10	22.50	26.50	29.45	2.20



Recommended P.C.B Layout
 Layout Tolerance=+/-0.05mm

Material

Insulator:Nylon 9T(UL94V-0)

Contact:phosphor Bronze

Contact Plated:Gold over Nickel or Tin

Specification

Current rating:7A

instant CURRENT:10A

Contact Resistance:30MΩ

Insulation Resistance:100MΩ

Dielectric Voltage:500V

Operdting Temperature:-40°~105°

东莞市朗顿电子科技有限公司

UNLESS OTHERWISE SPECIFIED,TOLERANCE: X. ±0.20 X.x ±0.10 X.xx ±0.05 ANGULAR ±2°	DESIGN	Elth	DATE	2014.08.26	TITLE	BATTERY 90° 2.5PITCH FEMALE CONNECTOR	
	APPROVED		DATE		SCALE	1:1	UNIT: mm
	PART NO	LD-B04F-A-L1	REV:	01	SIZE	A4	SHEET: 1/1
	DRAWING NO	LD-B04F-A-L1	DATE		SIZE	A4	SHEET: 1/1

