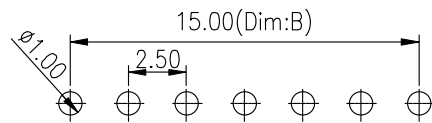
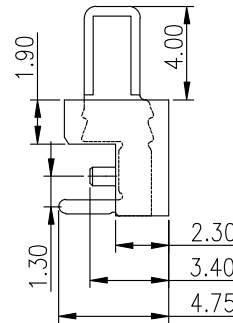
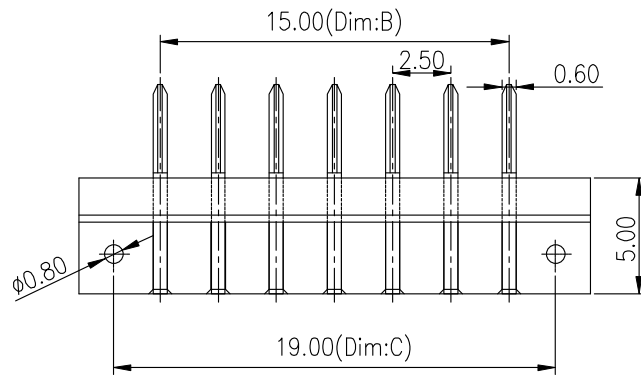
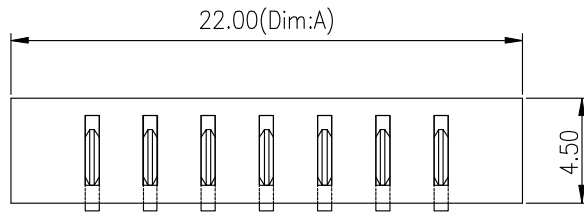


REV.	DESCRIPTION	DRAW.	DATE.
01	NEW DESIGN	Elih	2016.05.28

No:of pins	Dimension		
	DIM.A	DIM.B	DIM.C
03	12.00	5.00	9.00
04	14.50	7.50	11.50
05	17.00	10.00	14.00
06	19.50	12.50	16.50
07	22.00	15.00	19.00
08	24.50	17.50	21.50
09	27.00	20.00	24.00
10	29.50	22.50	26.50

NOTE:

1. MATERIAL:
 - 1.1 HOUSING: PA9T, UL 94V-0
 - 1.2 TERMINAL: C2680
2. FINISH:
 - 2.1 Plated: Gold over Nickel or Tin
3. PRODUCT SPECIFICATION
 - 3.1 CURRENT RATING :7A
 - 3.2 VOLTAGE RATING : 125V AC
 - 3.3 DIELECTRIC WITHSTANDING VOLTAGE:500VAC
 - 3.4 INSULATION RESISTANCE: 100M Ω min.
 - 3.5 CONTACT RESISTANCE: 30m Ω Max.
 - 3.6 Operating Temperature: -40° ~105°



Recommended P.C.B Layout

Layout Tolerance=+/-0.05mm

东莞市朗顿电子科技有限公司

UNLESS OTHERWISE SPECIFIED,TOLERANCE: X. ±0.30 X.x ±0.20 X.xx ±0.15 ANGULAR ±2°	DESIGN	Elih	DATE	2016.05.28	TITLE:	
	APPROVED		DATE		LD-B09M-R10-C	
	PART NO		REV:	01	SCALE: 1:1	UNIT: mm
	DRAWING NO		SIZE: A4		SHEET: 1/1	