

F

E

D

C

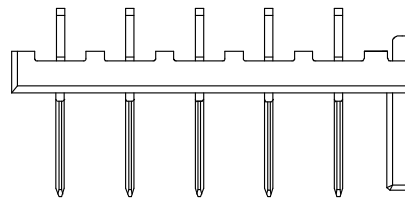
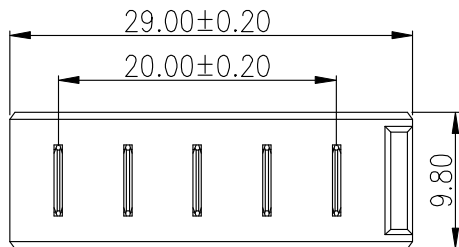
B

A

RoHS
Compliant

SYMBOL	REVISION	APPROVAL	DATE

1



备注:

1. 产品规格:

1-1. 额定电压:30V

1-2. 耐电压:1000V AC MIN.

1-3. 接触阻抗:30mΩ MAX. INITIAL;40mΩ MAX
AFTER 3000 CYCLES

1-4. 绝缘电阻:1000MΩ MIN

1-5. 工作温度:-25°C TO +80°C

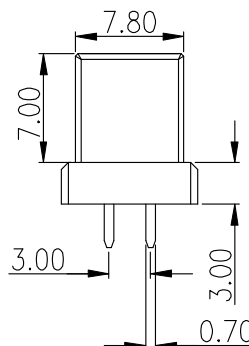
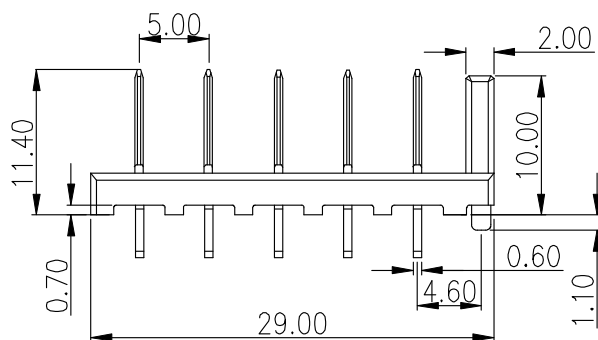
2. 材质:

2.1胶芯: PA9T UL94V-0/LCP BLACK

2.2端子: 合金铜, 镍底, GOLD

3. 所用材质须符合RoHS要求

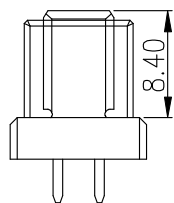
2



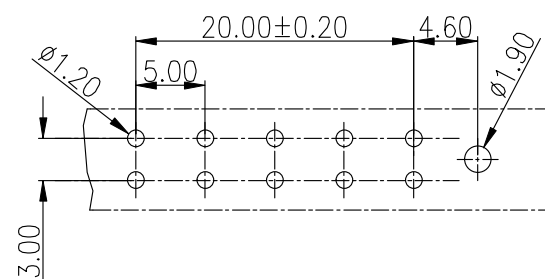
1

2

3



3



RECOMMENDED P.C. BOARD LAYOUT

4

东莞市朗顿电子科技有限公司

COPYRIGHT RESERVED, PLEASE DO NOT COPY.

PART NAME		CONNECTOR		DRAWING		M.M.Zhang	DWG.No.	JD-009
PART NO.		LD-C02M-A-5P-R3		CHECK		G.C.Chen	REV.	A1
UNIT : mm	TOLERANCE OTHERWISE	UP TO 5	±0.2	ANGLE	APPROVAL	DATE	01-07-2016	
		ABOVE 5 30	±0.3				0°±3'	SCALE
		ABOVE 30	±0.5					
		ANGLE	±3'					

F

E

D

C

B

A

4