

F

E

D

C

B

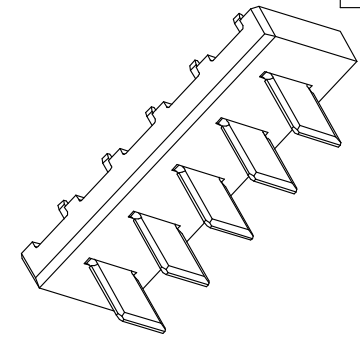
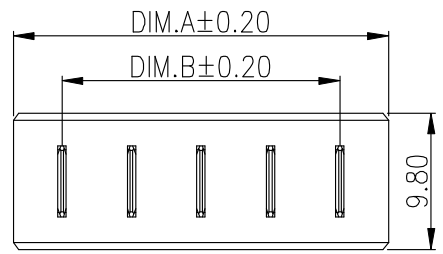
A

RoHS  
Compliant

SYMBOL	REVISION	APPROVAL	DATE

1

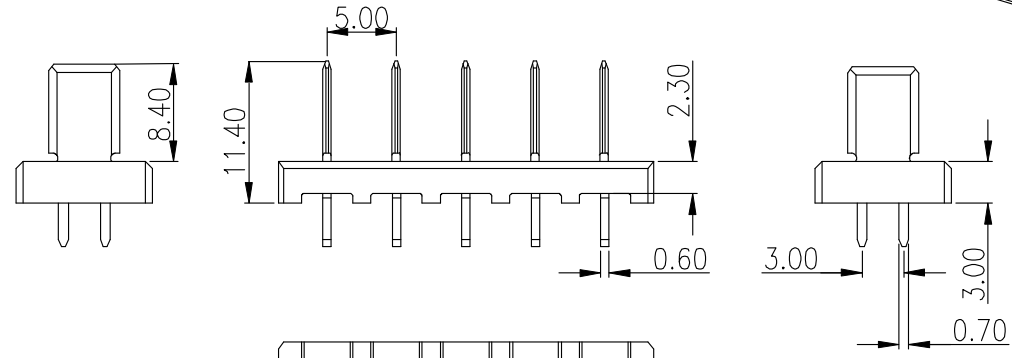
1



- 备注:
- 产品规格:
    - 1-1. 额定电压:30V
    - 1-2. 耐电压:1000V AC MIN.
    - 1-3. 接触阻抗:30mΩ MAX. INITIAL;40mΩ MAX AFTER 3000 CYCLES
    - 1-4. 绝缘电阻:1000MΩ MIN
    - 1-5. 工作温度:-25°C TO +80°C
  - 材质:
    - 2.1胶芯: PA9T UL94V-0/LCP BLACK
    - 2.2端子: 合金铜, 镍底, GOLD
  - 所用材质须符合RoHS要求

2

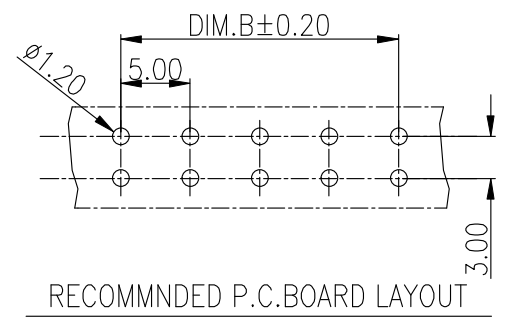
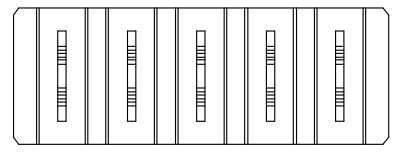
2



PART NUMBER	PIN	Dim.A	Dim.B
公座D-C01M-A-2P-R3	02pin	12.00	5.00
公座D-C01M-A-3P-R3	03pin	17.00	10.00
公座D-C01M-A-4P-R3	04pin	22.00	15.00
公座D-C01M-A-5P-R3	05pin	27.00	20.00

3

3



4

4

# 东莞市朗顿电子科技有限公司

COPYRIGHT RESERVED,PLEASE DO NOT COPY.

PART NAME		CONNECTOR		DRAWING	M.M.Zhang	DWG.No.	DS-057
PART NO.		公座D-C01M-A-2P/3P/4P/5P-R3		CHECK	G.C.Chen	REV.	A1
UNIT : mm	TOLERANCE	UP TO 5	±0.2	APPROVAL	SCALE	DATE	01-07-2016
	OTHERWISE	ABOVE 5 Ø	±0.3			PAGE	1 OF 1
ANGLE	OTHERWISE	ABOVE 30	±0.5	SCALE	2:1	PAGE	1 OF 1
ANGLE	OTHERWISE	ANGLE	±3'	SCALE	2:1	PAGE	1 OF 1

F

E

D

C

B

A