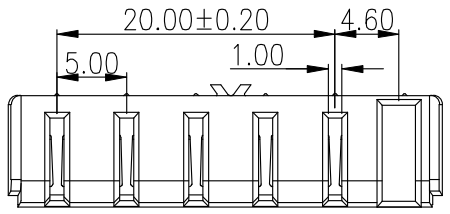
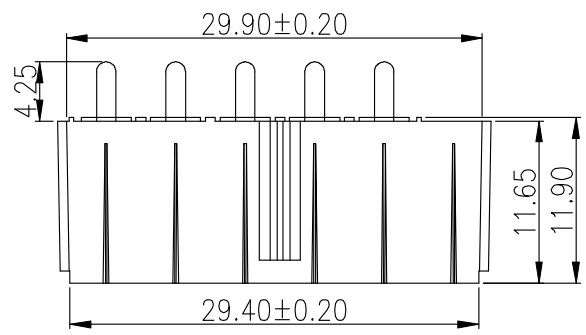
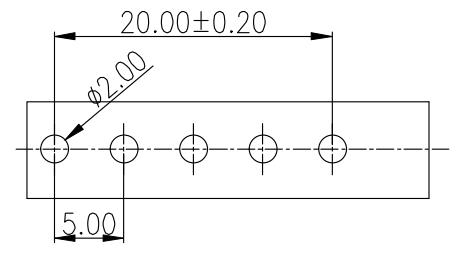
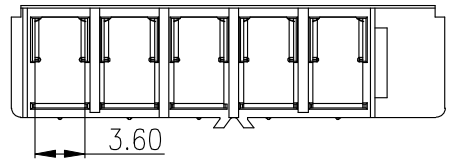
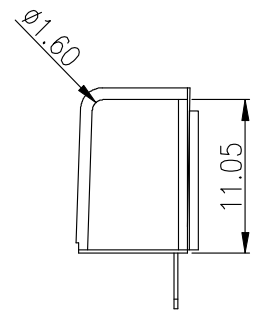
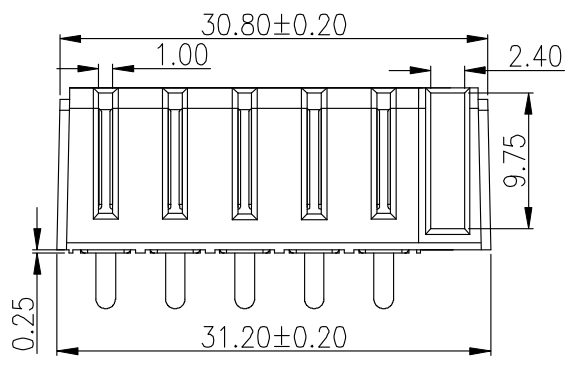
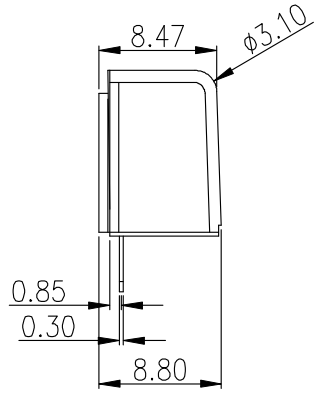


RoHS
Compliant

SYMBOL	REVISION	APPROVAL	DATE



备注:
 1. 产品规格:
 1-1. 额定电压:30V
 1-2. 耐电压:1000V AC MIN.
 1-3. 接触阻抗:30mΩ MAX. INITIAL; 40mΩ MAX AFTER 3000 CYCLES
 1-4. 绝缘电阻:1000MΩ MIN
 1-5. 工作温度:-25°C TO +80°C
 2. 材质:
 2.1胶芯: PA9T UL94V-0/LCP BLACK
 2.2端子: 合金铜, 镍底, GOLD
 3. 所用材质须符合RoHS要求



RECOMMENDED P.C. BOARD LAYOUT

东莞市朗顿电子科技有限公司

COPYRIGHT RESERVED, PLEASE DO NOT COPY.

PART NAME		CONNECTOR		DRAWING		M.M.Zhang	DWG.No.	JD-009
PART NO.		母座LD-C02F-A-5P-S2		CHECK		G.C.Chen	REV.	A1
UNIT : mm	TOLERANCE OTHERWISE	UP TO 5	±0.2	ANGLE	APPROVAL	DATE	01-07-2016	
		ABOVE 5 TO 30	±0.3				SCALE	PAGE
		ABOVE 30	±0.5	0°±3'				
		OTHERWISE	±3'					