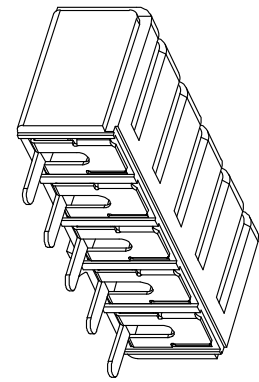
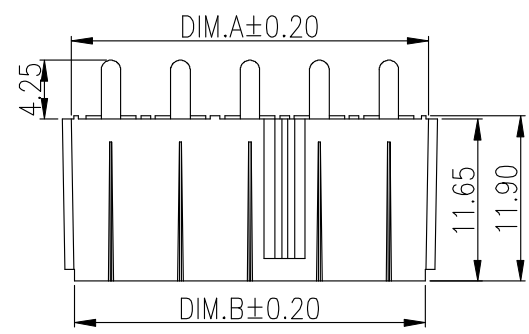


RoHS  
Compliant

| SYMBOL | REVISION | APPROVAL | DATE |
|--------|----------|----------|------|
|        |          |          |      |
|        |          |          |      |

1

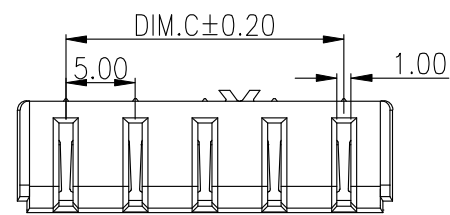
1



备注:  
1. 产品规格:  
1-1. 额定电压:30V  
1-2. 耐电压:1000V AC MIN.  
1-3. 接触阻抗:30mΩ MAX. INITIAL; 40mΩ MAX AFTER 3000 CYCLES  
1-4. 绝缘电阻:1000MΩ MIN  
1-5. 工作温度:-25°C TO +80°C  
2. 材质:  
2.1胶芯: PA9T UL94V-0/LCP BLACK  
2.2端子: 合金铜, 镍底, GOLD  
3. 所用材质须符合RoHS要求

2

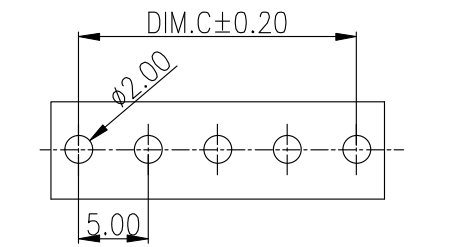
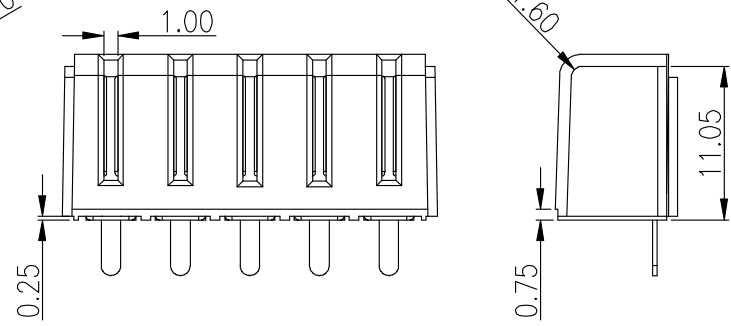
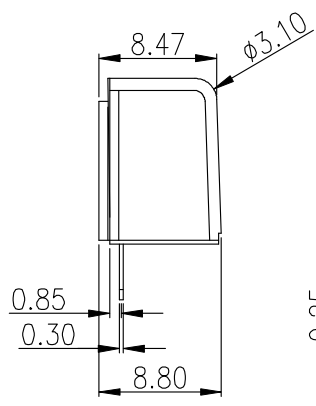
2



| PART NUMBER       | PIN   | Dim.A | Dim.B | Dim.C |
|-------------------|-------|-------|-------|-------|
| 母座LD-C01F-A-2P-S2 | 02pin | 10.70 | 10.20 | 5.00  |
| 母座LD-C01F-A-3P-S2 | 03pin | 15.70 | 15.20 | 10.00 |
| 母座LD-C01F-A-4P-S2 | 04pin | 20.70 | 20.20 | 15.00 |
| 母座LD-C01F-A-5P-S2 | 05pin | 25.70 | 25.20 | 20.00 |

3

3



4

4

东莞市朗顿电子科技有限公司

COPYRIGHT RESERVED, PLEASE DO NOT COPY.

|              |           |                            |      |          |           |         |            |
|--------------|-----------|----------------------------|------|----------|-----------|---------|------------|
| PART NAME    |           | CONNECTOR                  |      | DRAWING  | M.M.Zhang | DWG.No. | DS-059     |
| PART NO.     |           | 母座LD-C01F-A-2P/3P/4P/5P-S2 |      | CHECK    | G.C.Chen  | REV.    | A1         |
| UNIT :<br>mm | TOLERANCE | UP TO 5                    | ±0.2 | APPROVAL | SCALE     | DATE    | 01-07-2016 |
|              | OTHERWISE | ABOVE 5 30                 | ±0.3 |          |           | PAGE    | 1 OF 1     |
| ANGLE        |           | ABOVE 30                   | ±0.5 | 2:1      |           |         |            |
| ANGLE        |           | ANGLE                      | ±3'  |          |           |         |            |