

REV.	DESCRIPTION	DRAW.	DATE.

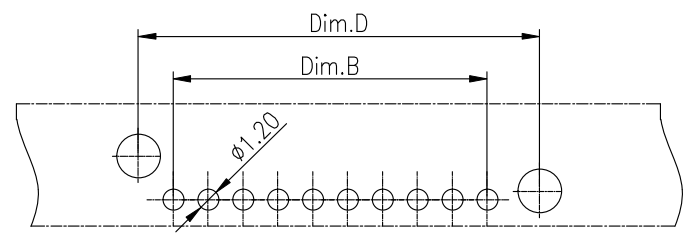
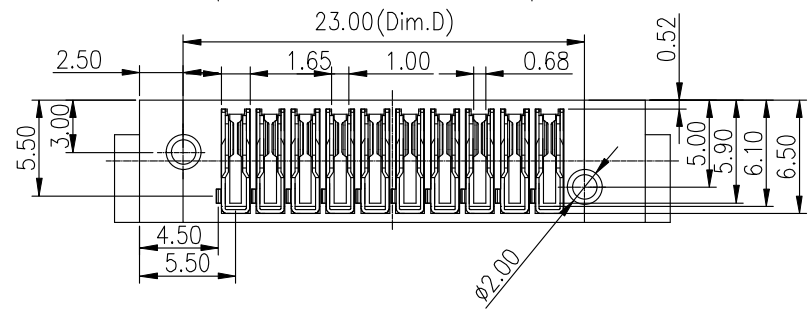
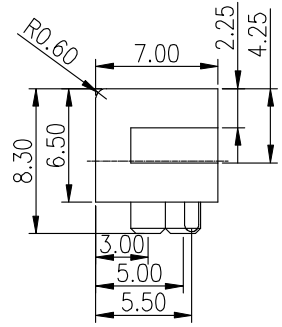
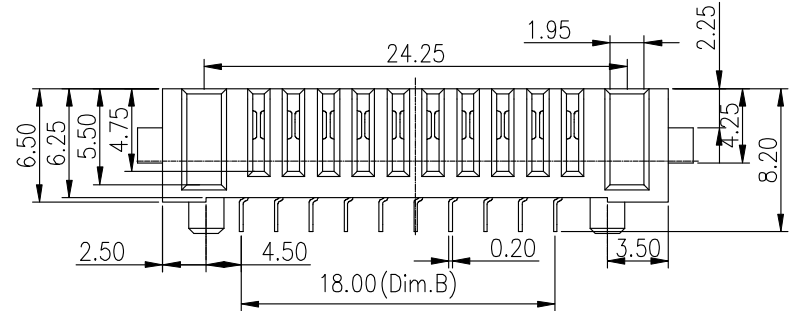
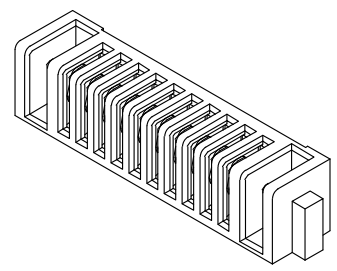
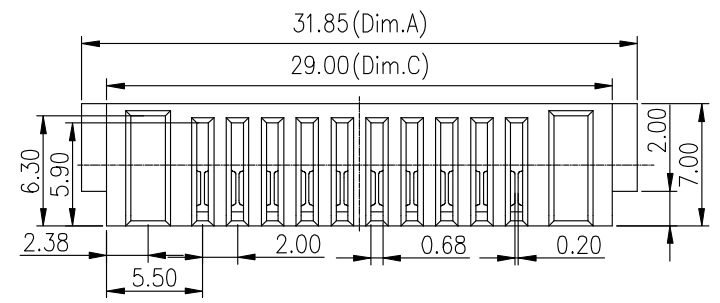
No.of Pins	Dimension			
	DIM.A	DIM.B	DIM.C	DIM.D
03	17.85	4.00	15.00	9.00
04	19.85	6.00	17.00	11.00
05	21.85	8.00	19.00	13.00
06	23.85	10.00	21.00	15.00
07	25.85	12.00	23.00	17.00
08	27.85	14.00	25.00	19.00
09	29.85	16.00	27.00	21.00
10	31.85	18.00	29.00	23.00
11	33.85	20.00	31.00	25.00
12	35.85	22.00	33.00	27.00

Material  
 Insulator : Nylon 9T (UL94V-0)  
 Contact : Phosphor Bronze  
 Contact Plated : Gold over Nickel or Tin  
 Specification  
 Current Rating : 5A  
 Instant Current : 7A  
 Contact Resistance : 30mΩ  
 Insulation Resistance : 100MΩ  
 Dielectric Voltage : 500V  
 Operating Temperature : -40°~105°

## 东莞市朗顿电子科技有限公司

UNLESS OTHERWISE SPECIFIED,TOLERANCE:  
 X.                   ±0.20  
 X.x                 ±0.15  
 X.xx               ±0.10  
 ANGULAR          ±2°

DESIGN		DATE		TITLE BATTERY FEMALE 2.0PITCH BOARD TO BOARD CONNECTOR	
APPROVED		DATE		SCALE: 1:1	UNIT: mm
PART NO	LD-A01F-A-H1	REV: 01		SHEET: 1/1	
DRAWING NO	LD-A01F-A-H1	SIZE: A4			



Recommended P.C.B Layout