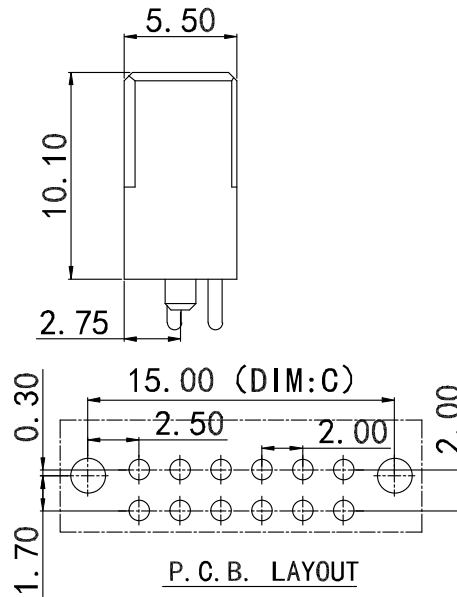
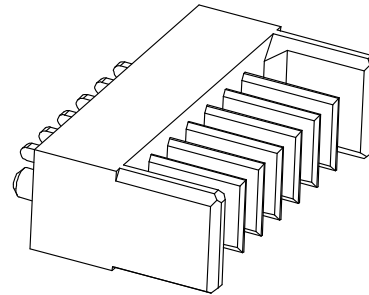
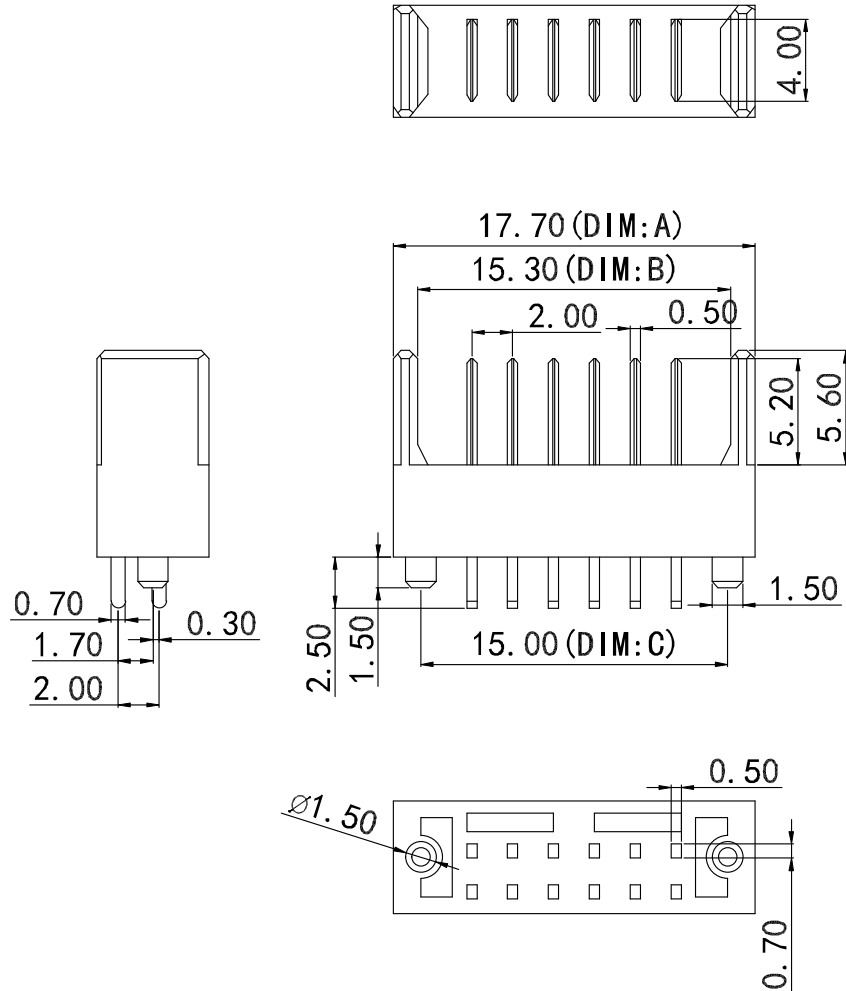


RoHS
Compliant

SYMBOL	REVISION	APPROVAL	DATE

No: of pins	Dimension		
	DIM. A	DIM. B	DIM. C
03	11.70	9.30	9.00
04	13.70	11.30	11.00
05	15.70	13.30	13.00
06	17.70	15.30	15.00
07	19.70	17.30	17.00
08	21.70	19.30	19.00
09	23.70	21.30	21.00
10	25.70	23.30	23.00
11	27.70	25.30	25.00
12	29.70	27.30	27.00



NOTE:
 Material
 Insulator: LCP
 Contact: C2680
 Contact Plated: Gold over Nickel or Tin
 Specification
 Current rating: 7A
 Instant CURRENT: 10A
 Contact Resistance: 30mΩ
 Insulation Resistance: 100MΩ
 Dielectric Voltage: 500V
 Operdting Temperature: -40° ~105°

NO.	PARTS	MATERIAL	QTY.	FINISHING
2	HOUSING	LCP	1	GRAY
1	CONTACT TERMINAL	C2680	6	Au PLATED

东莞市朗顿电子科技有限公司

COPYRIGHT RESERVED, PLEASE DO NOT COPY.

PART NAME	CONNECTOR		DRAWING	M. M. Zhang	DWG. No.
PART NO.	LD-A05M-A-M9系列		CHECK	G. C. Chen	REV. A1
UNIT: \varnothing	TOLERANCE	UP TO 5 ±0.2 ABOVE 5 ~30 ±0.3	APPROVAL	DATE	15-09-2020
	OTHERWISE	ABOVE 30 ±0.5 ANGLE ±3°	SCALE	PAGE	1 OF 1

F

E

D

C

B

A