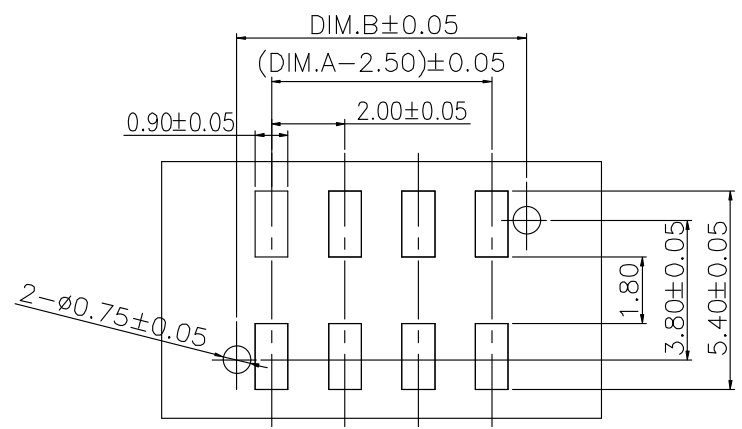
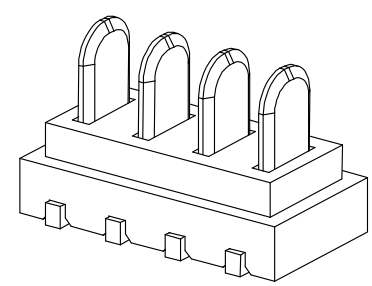
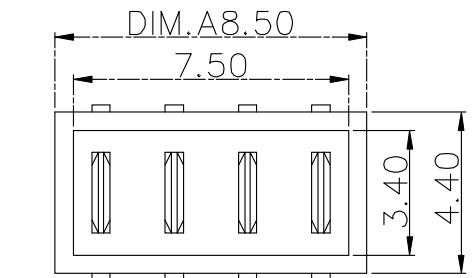
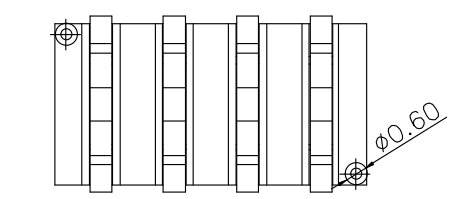
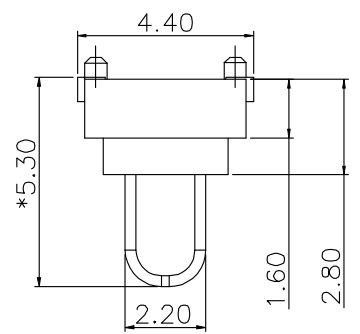
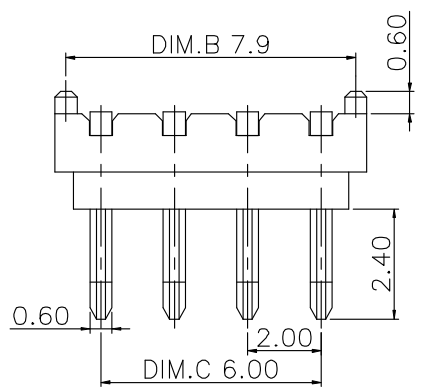


REV.	DESCRIPTION	DRAW.	DATE.
01	新发行图面	Elih	



P.C.B LAYOUT
TOLERANCE: ± 0.05



P/N	DIM.A	DIM.B	DIM.C
A00M-2P-R1-SMT	4.50	3.90	2.00
A00M-3P-R1-SMT	6.50	5.90	4.00
A00M-4P-R1-SMT	8.50	7.90	6.00
A00M-5P-R1-SMT	10.50	9.90	8.00
A00M-6P-R1-SMT	12.50	11.90	10.00
A00M-7P-R1-SMT	14.50	13.90	12.00
A00M-8P-R1-SMT	16.50	15.90	14.00
A00M-9P-R1-SMT	18.50	17.90	16.00
A00M-10P-R1-SMT	20.50	19.90	18.00

东莞市朗顿电子科技有限公司

UNLESS OTHERWISE SPECIFIED, TOLERANCE: X: ±0.20 X.x ±0.10 X.xx ±0.05 ANGULAR ±2°	DESIGN	Elih	DATE		TITLE BATTERY 2.0PITCH MALE BOARD TO BOARD CONNECTOR
	APPROVED		DATE		
PART NO	A00M-2-10P-R1-SMT		REV: 01	SCALE: 1:1	UNIT: mm
DRAWING NO	A00M-2-10P-R1-SMT		SIZE: A4	SHEET: 1/1	