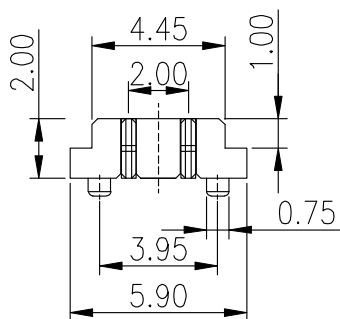
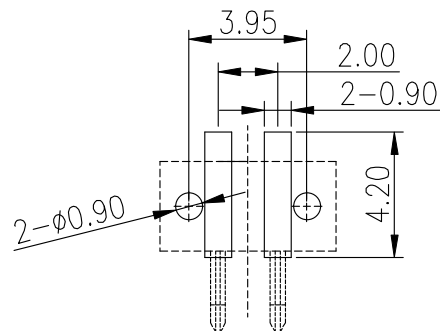
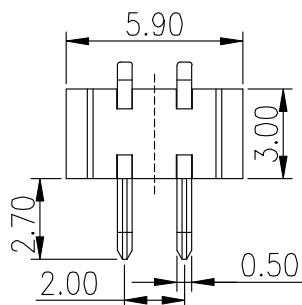
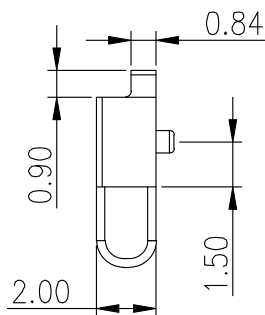
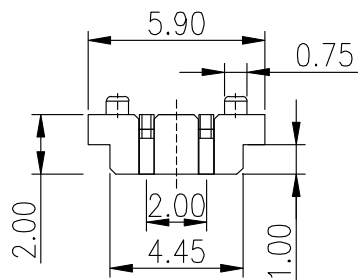


RoHS  
Compliant

SYMBOL	REVISION	APPROVAL	DATE



NOTE:  
Material  
Insulator: LCP  
Contact: C2680  
Contact Plated: Gold over Nickel or Tin  
Specification  
Current rating: 3A  
instant CURRENT: 5A  
Contact Resistance: 30mΩ  
Insulation Resistance: 100MΩ  
Dielectric Voltage: 500V  
Operating Temperature: -40°~105°

RECOMMENDED P.C.B LAYOUT  
TOP VIEW (.XX±0.05)

2	HOUSING	LCP	1	GRAY
1	CONTACT TERMINAL	C2680	2	Au PLATED
NO.	PARTS	MATERIAL	QTY.	FINISHING

东莞市朗顿电子科技有限公司

PART NAME		CONNECTOR		DRAWING	Y.C.Zhang	DWG.No.	
PART NO.		A00M-2P-R5		CHECK	G.C.Chen	REV.	A1
UNIT: mm	TOLERANCE	UP TO 5	±0.2	APPROVAL	DATE	01-05-2020	PAGE
	OTHERWISE	ABOVE 5 30	±0.3				
		ANGLE	0°±3'				

COPYRIGHT RESERVED, PLEASE DO NOT COPY.