

RoHS
Compliant

备注:

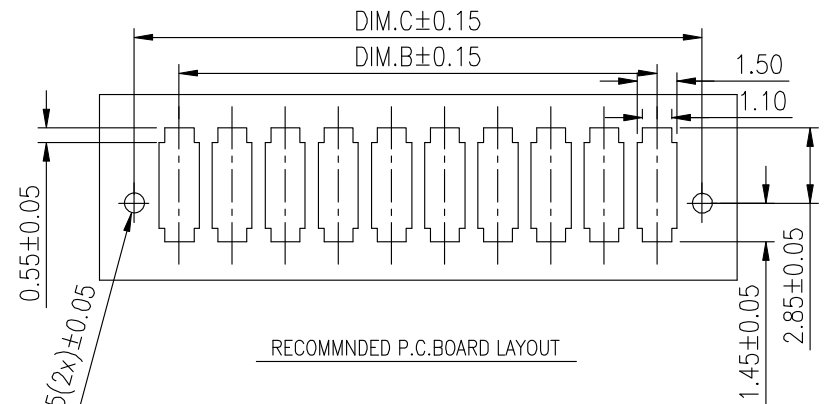
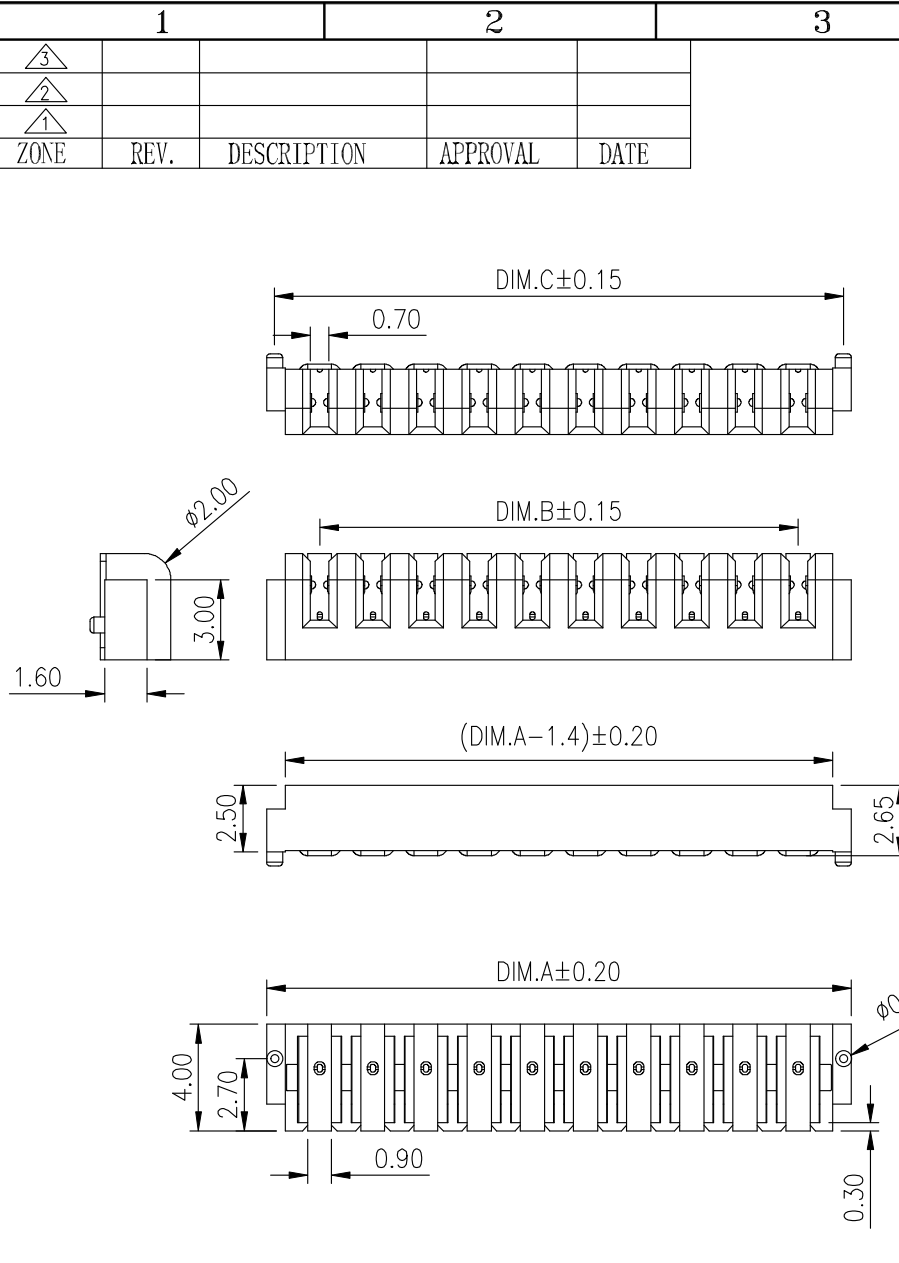
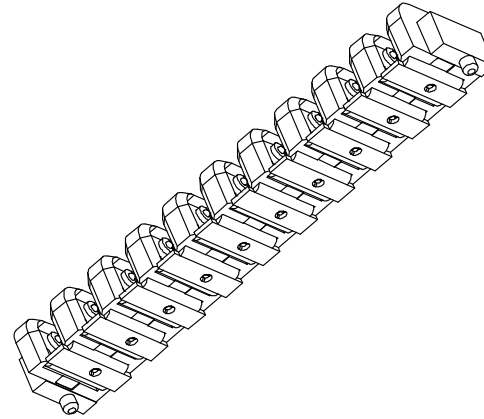
1. 产品规格:

- 1-1. 额定电流: 2A
- 1-2. 额定电压: 12V
- 1-3. 耐电压: 1000V AC MIN.
- 1-4. 接触阻抗: 30mΩ MAX. INTTAL; 40mΩ MAX AFTER 3000 CYCLES
- 1-4. 绝缘电阻: 1000MΩ MIN
- 1-5. 工作温度: -25°C TO +80°C

2. 材质:

- 2.1 胶芯: PA9T UL94V-0/LCP BLACK
- 2.2 端子: C2680R-H, 镍底, GOLD

3. 所用材质须符合RoHS要求



PART NUMBER	PIN	Dim.A	Dim.B	Dim.C
A00F-2P-S1	02pin	6.00	2.00	5.40
A00F-3P-S1	03pin	8.00	4.00	7.40
A00F-4P-S1	04pin	10.00	6.00	9.40
A00F-5P-S1	05pin	12.00	8.00	11.40
A00F-6P-S1	06pin	14.00	10.00	13.40
A00F-7P-S1	07pin	16.00	12.00	15.40
A00F-8P-S1	08pin	18.00	14.00	17.40
A00F-9P-S1	09pin	20.00	16.00	19.40
A00F-10P-S1	10pin	22.00	18.00	21.40

东莞市朗顿电子科技有限公司

DESIGN	X.Z.Huang	SCALE		
DRAWING	X.Z.Huang	UNIT	mm	
CHECK	X.X.Zheng	SIZE	A4:210:297	
APPROVAL	M.Y.Li	VER.	01	

TOLERANCE	
UP TO 5	±0.2
ABOVE 5	±0.3
ABOVE 30	±0.5
ANGLE	±3°

PART NAME.	CONNECTOR
PART NO.	母座#A00F-2/3/4/5/6/7/8/9/10-S1
DWG. NO.	RD-SP-0020
DATE.	2019-01-17

1

2

3

4

5

6