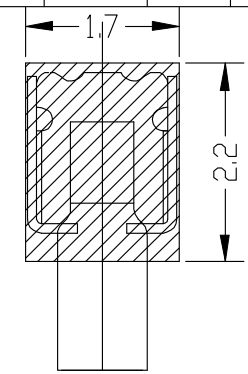
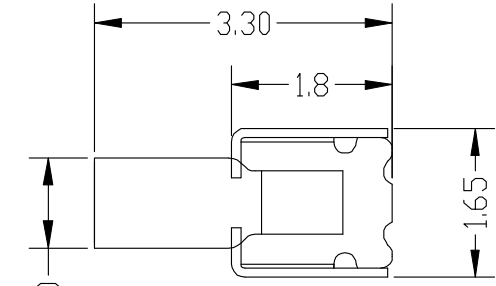
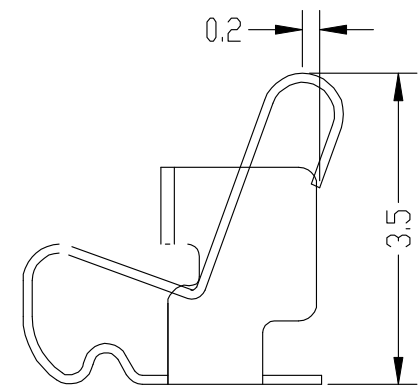
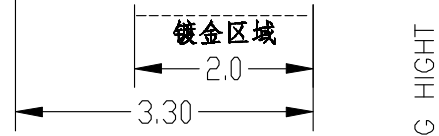
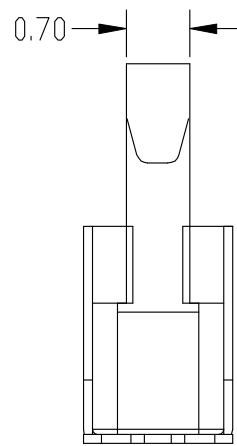
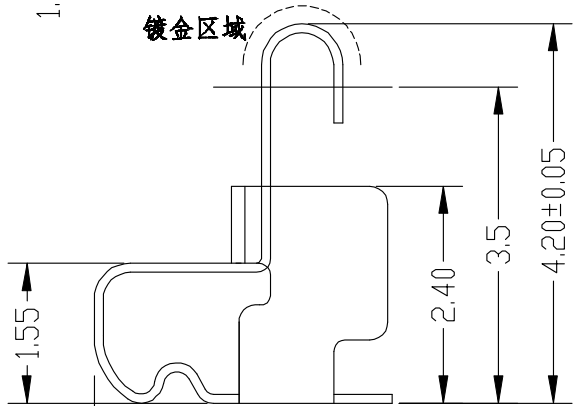


Rev.	ECN Number	Description	Date	Drawn	Checkd	Approved



RECOMMENDED PCB LAYOUT
TOLERANCE ±0.05MM



State at
working height 3.5mm

NOTES:

- 1: 材质SUS304
- 2: 表面处理 整体镀镍 50" 指定部位镀金2u"
- 3: 性能:
接触电阻: 50mΩMAX.
使用温度 -20° C~+65° C.
自由高度预压力0.4N
工作高度位置接触点压力0.7N
- 4: 使用寿命100次
- 5: 包装: 卷带包装

LANGDUN

GENERAL TOLERANCE	
XX. ±0.50	
X. ±0.35	X.° ±2.0°
.X ±0.25	.X° ±1.0°
.XX ±0.15	.XX° ±0.5°

SCALE:	1:1
UNIT:	mm
SIZE:	A4

DRAWN	Chen	DATE	2017. 4. 20
CHECK		DATE	
APPROVE		DATE	

DWG. NO.	
PARTS NO.(INTENDED USE)	AS-042

TITLE	(CUSTOMER DRAWING)
	Antenna Spring,SMT, L3.3*W1.6*H4.2mm

REV.	A
SHEET	1/2