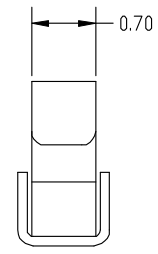
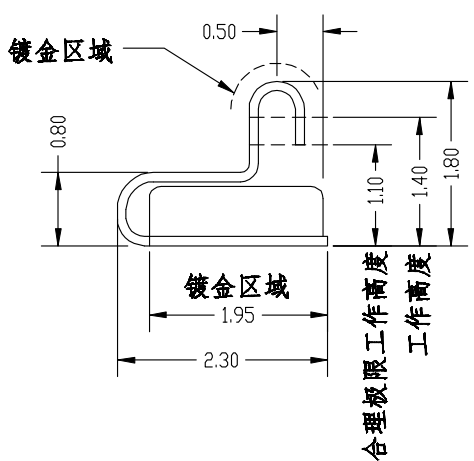
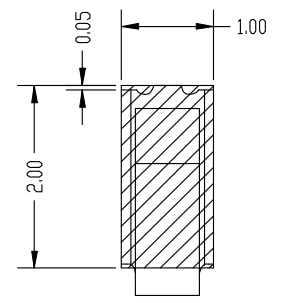
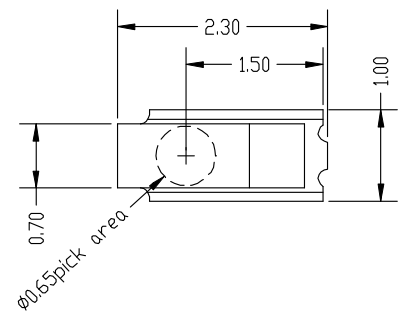
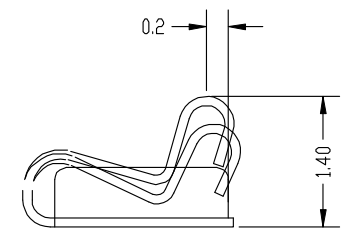


Rev.	ECN Number	Description	Date	Drawn	Checkd	Approved



RECOMMENDED PCB LAYOUT
TOLERANCE ±0.05MM



State at
working height 1.40mm

LANGDUN

GENERAL TOLERANCE	
XX. ±0.50	/
X. ±0.35	X.° ±2.0°
.X ±0.25	.X° ±1.0°
.XX ±0.15	.XX° ±0.5°

SCALE: 1:1
UNIT: mm
SIZE: A4

DRAWN
CHECK
APPROVE

DATE
DATE
DATE
DWG. NO.
PARTS NO.(INTENDED USE)
AS-029

TITLE
客户图
RF Antenna Spring,SMT,
L2.3*W1.0*H1.8mm

REV. A
SHEET 1/1