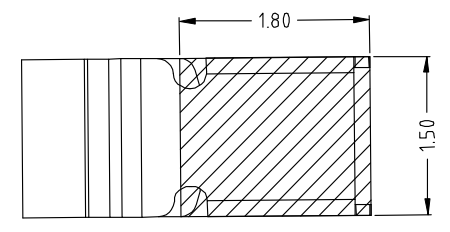
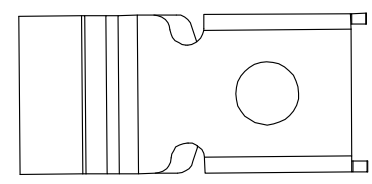
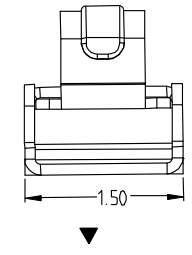
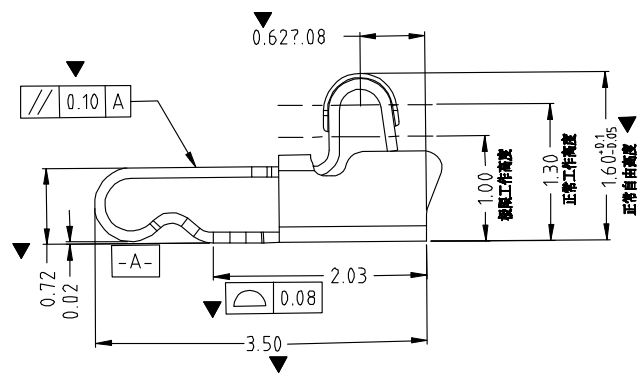
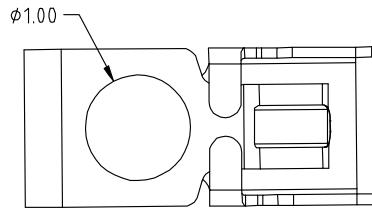
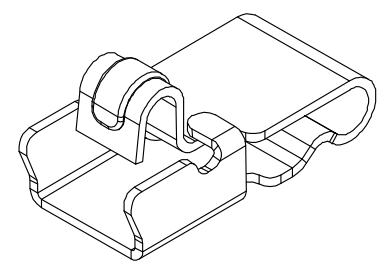


Rev.	ECN Number	Description	Date	Drawn	Checkd	Approved



焊盘尺寸
尺寸公差 ±0.05



- 技术要求:
1. 材质: 不锈钢SUS301, T=0.10±0.005;
 2. 端子锡脚焊接面和接触面不可有毛边, 其他部位毛边最大0.03mm;
 3. 扭曲: 45°/1000mm, 拱形 5mm/1000mm;
 4. 标示有"▼"符号的为重点控制和检验尺寸;
 5. 未标注之R MAX R0.13;
 6. 电镀须满足48小时盐雾测试;
 7. 寿命测试>2万次, 产品弹力要求在60gf~80gf之间
 8. 镍底50~80u"min, 焊接区域镀金, 接触区域镀金3U"MIN

LANGDUN

GENERAL TOLERANCE	
XX. ±0.50	
X. ±0.35	X.° ±2.0°
.X ±0.25	.X.° ±1.0°
.XX ±0.15	.XX.° ±0.5°

SCALE:	1:1
UNIT:	mm
SIZE:	A4

DRAWN	DATE
CHECK	DATE
APPROVE	DATE

DWG. NO.	
PARTS NO.(INTENDED USE)	AS-015

TITLE	客户图
	RF Antenna Spring,SMT, L3.5*W1.5*H1.6mm

REV.	A
SHEET	1/1