

F

E

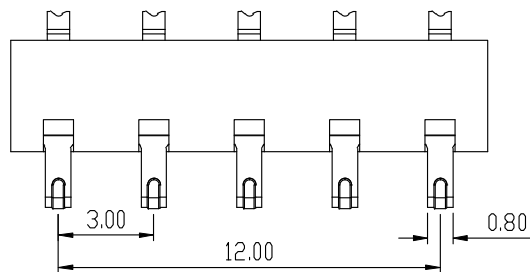
D

C

B

A

1



性能:

额定电流: 2.0A

额定电压: 12V

耐电压: 500V

接触电阻: 30mΩ

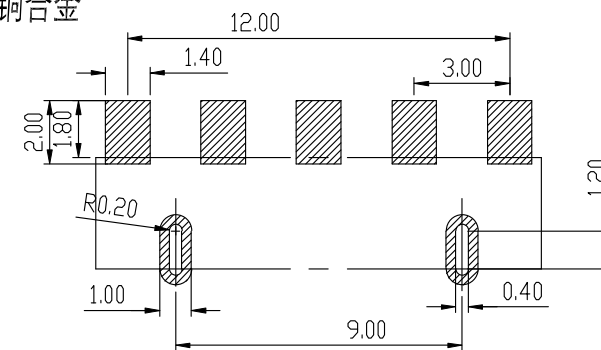
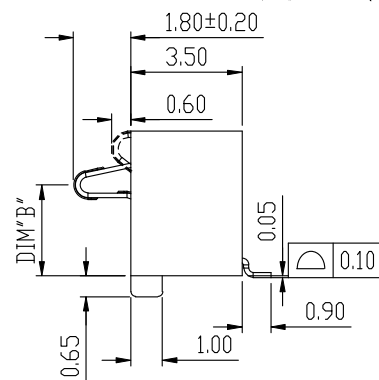
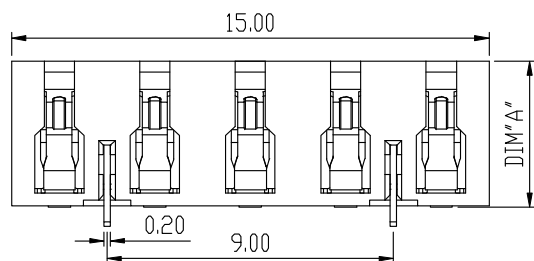
绝缘电阻: 500MΩ

工作温度: -40℃ ~ +85℃

塑件 (材质): LCP 黑色

接触点 (材质): 铜合金

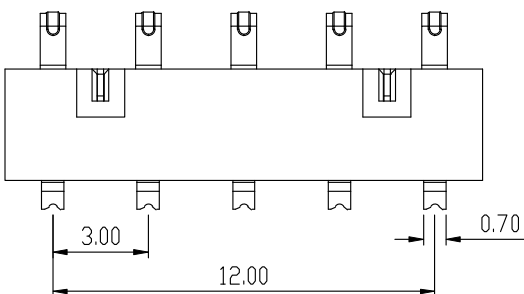
2



RECOMMENDED PCB LAYOUT

TOL:(±0.05)

3



PART NO.	DIM A	DIM B
BC-2-503-C01	4.6	2.9
BC-2-503A-C01	5.0	3.3
BC-2-503B-C01	6.5	4.8
BC-2-503C-C01	7.2	5.5

4

2	HOUSING	LCP	1	BLACK
1	CONTACT TERMINAL	PHOSPHOR BRONZE	3	Au PLATED
NO.	PARTS	MATERIAL	QTY.	FINISHING

东莞市朗顿电子科技有限公司

COPYRIGHT RESERVED,PLEASE DO NOT COPY.

PART NAME		CONNECTOR		DRAWING	G.B.Wu	DWG.No.	DS-BC-135
PART NO.		BC-2-503/503A/503B/503C-C01		CHECK	Q.L..Dai	REV.	A0
UNIT :	TOLERANCE	UP TO 5	±0.2	ANGLE	APPROVAL	DATE	19-10-2019
mm	OTHERWISE	ABOVE 5 30	±0.3	0°±3'	SCALE	PAGE	1 OF 1
		ABOVE 30	±0.5				
		ANGLE	±3'				

F

E

D

C

B

A