

F

E

D

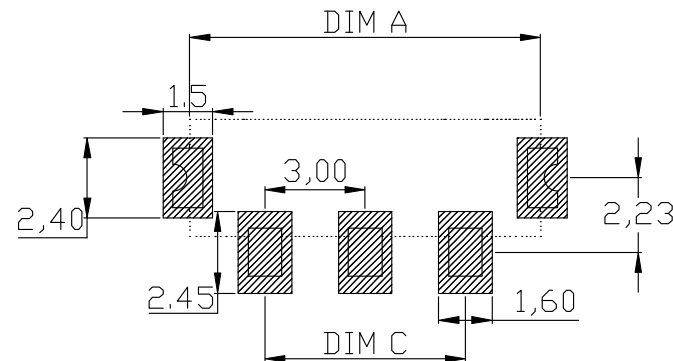
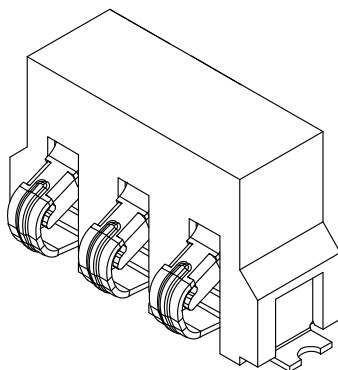
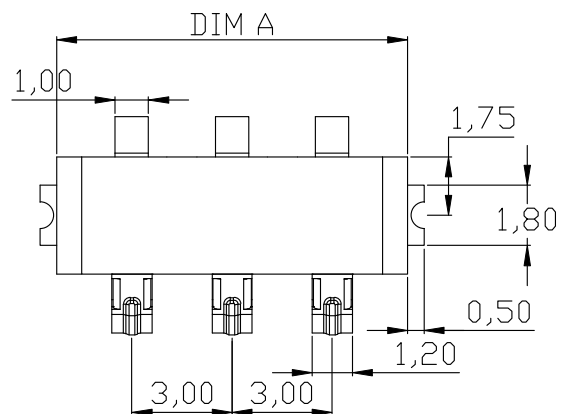
C

B

A

1

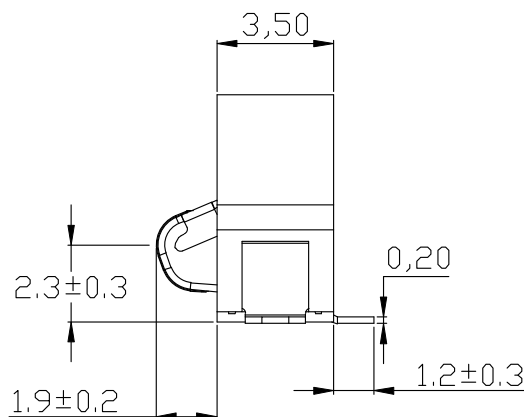
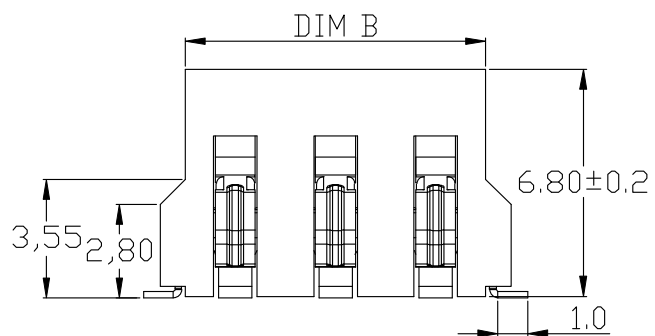
1



RECOMMENDED PCB LAYOUT
TOP VIEW (. XX±0.05)

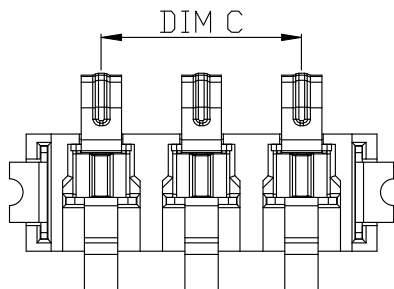
2

2



3

3



性能:

- 额定电流: 3.0A
- 额定电压: 24V
- 耐电压: 500V
- 接触电阻: 30mΩ MAX
- 绝缘电阻: 500MΩ
- 工作温度: -40°C ~ +85°C
- 塑件 (材质): LCP, 耐高温260°C
- 接触点 (材质): 铜合金, 触点镀金3U

PART NO.	DIM A	DIM B	DIM C
BC-2-240	7.5	6.0	3.0
BC-2-372	10.5	9.0	6.0
BC-2-412	13.5	12.0	9.0
BC-2-505	16.5	15.0	12.0
BC-2-605	19.5	18.0	15.0

4

4

NO.	PARTS	MATERIAL	QTY.	FINISHING
2	HOUSING	LCP	1	BLACK
1	CONTACT TERMINAL	PHOSPHORUS COPPER	3	Au PLATED

东莞市朗顿电子科技有限公司

COPYRIGHT RESERVED, PLEASE DO NOT COPY.

PART NAME		CONNECTOR		DRAWING		G.B.Wu		DWG.No.		DS-BC-230	
PART NO.		BC-2-240 372 412 505 605		CHECK		Q.L.Dai		REV.		A0	
UNIT : mm	TOLERANCE	UP TO 5	±0.2	ANGLE	APPROVAL	DATE		15-08-2021			
	OTHERWISE	ABOVE 5 30 ~	±0.3		SCALE	PAGE		1 OF 1			

F

E

D

C

B

A