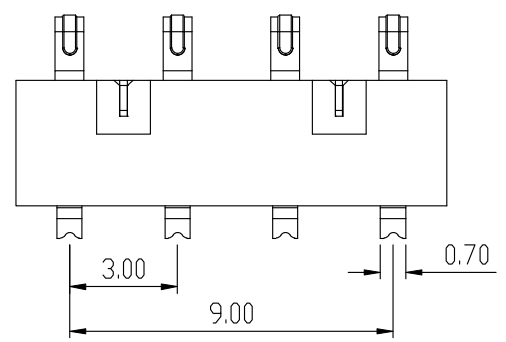
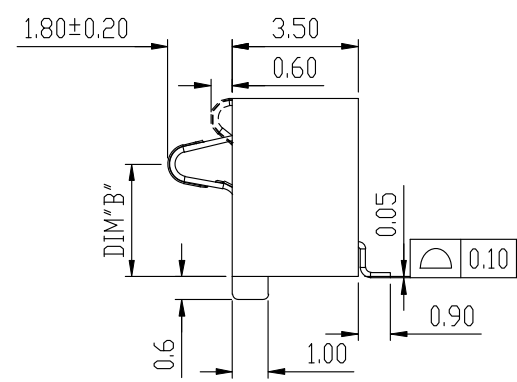
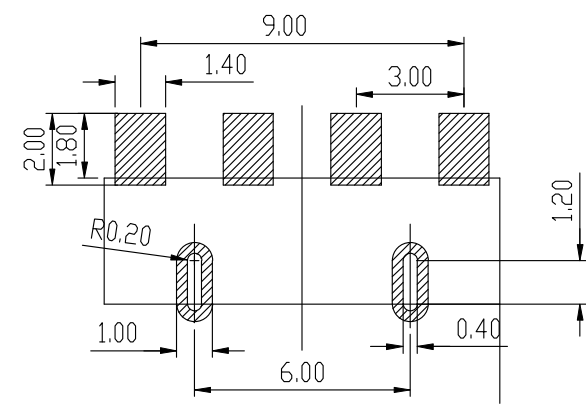
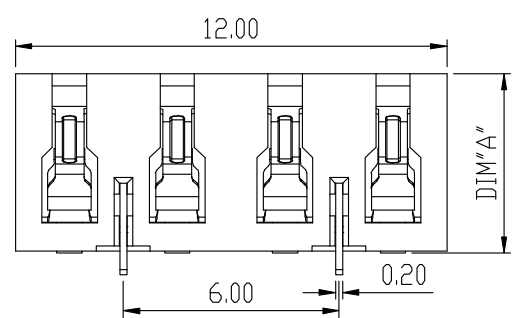
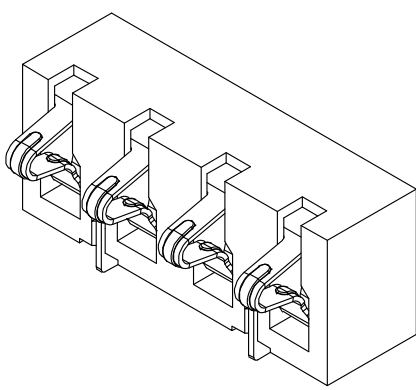
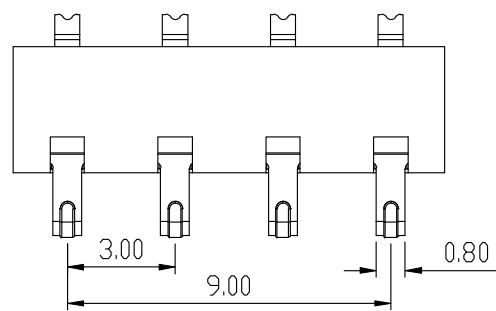


F E D C B A

性能:  
 额定电流: 2.0A  
 额定电压: 12V  
 耐电压: 500V  
 接触电阻: 30mΩ  
 绝缘电阻: 500MΩ  
 工作温度: -40°C ~ +85°C  
 塑件 (材质): LCP 黑色  
 接触点 (材质): 铜合金



RECOMMENDED PCB LAYOUT  
 TOL: (<math>\pm 0.05</math>)

PART NO.	DIM A	DIM B
BC-2-411-C01	4.6	2.9
BC-2-411A-C01	5.0	3.3
BC-2-411B-C01	6.5	4.8
BC-2-411C-C01	7.2	5.5

2	HOUSING	LCP	1	BLACK
1	CONTACT TERMINAL	PHOSPHOR BRONZE	3	Au PLATED
NO.	PARTS	MATERIAL	QTY.	FINISHING

东莞市朗顿电子科技有限公司

COPYRIGHT RESERVED, PLEASE DO NOT COPY.

PART NAME		CONNECTOR		DRAWING	G.B.Wu	DWG.No.	DS-BC-134
PART NO.		BC-2-411/411A/411B/411C-C01		CHECK	Q.L.Dai	REV.	A0
UNIT :	TOLERANCE	UP TO 5	±0.2	APPROVAL	DATE	PAGE	15-09-2019
	OTHERWISE	ABOVE 5 & 30	±0.3				
mm		ABOVE 30	±0.5	SCALE	2:1	1 OF 1	
		ANGLE	±3'				

F E D C B A