

F

E

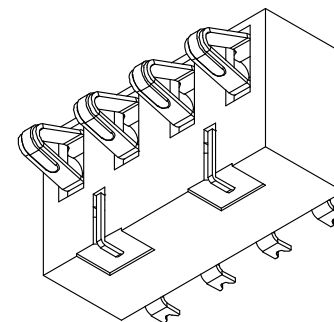
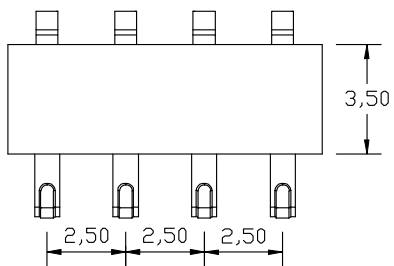
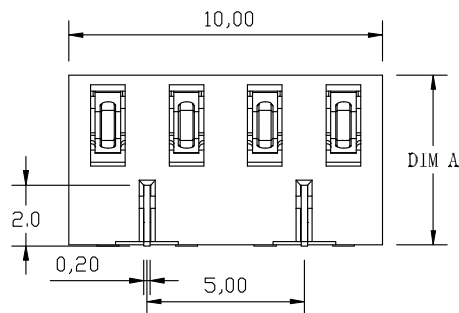
D

C

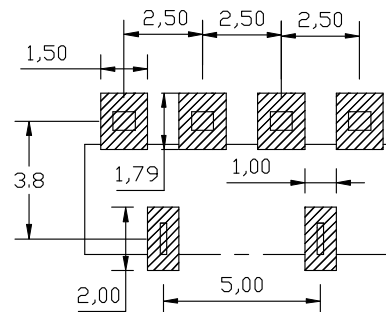
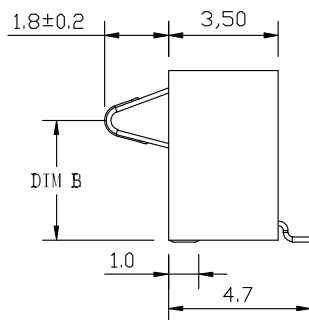
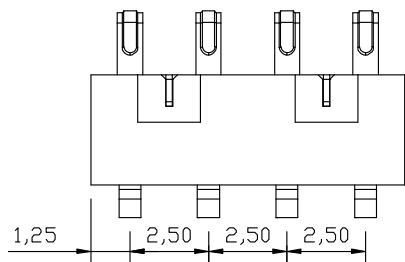
B

A

1



2



性能:

额定电流: 2.0A

额定电压: 12V

耐电压: 500V

接触电阻: 30mΩ

绝缘电阻: 500MΩ

工作温度: -40℃~+85℃

塑件(材质): LCP

接触点(材质): 磷铜, 镀金

3

RECOMMENDED PCB LAYOUT
TOP VIEW (.XX±0.05)

4

PART NO.	H=?	DIM A	DIM B					
BC-2-406	5.4	5.4	4.0	2	HOUSING	LCP	1	BLACK
BC-2-406A	6.0	6.0	4.6	1	CONTACT TERMINAL	PHOSPHOR BRONZE	3	Au PLATED
BC-2-406B	7.0	7.0	5.6	NO.	PARTS	MATERIAL	QTY.	FINISHING

东莞市朗顿电子科技有限公司

COPYRIGHT RESERVED, PLEASE DO NOT COPY.

PART NAME		CONNECTOR		DRAWING		G.B.Wu		DWG.No.		DS-BC-110	
PART NO.		BC-2-406/406A/406B		CHECK		Q.L.Dai		REV.		A0	
UNIT : mm	TOLERANCE	UP TO 5	±0.2	ANGLE	APPROVAL	DATE	PAGE	05-09-2017		1 OF 1	
	OTHERWISE	ABOVE 5 30 ~	±0.3					SCALE	2:1	0°±3'	

F

E

D

C

B

A