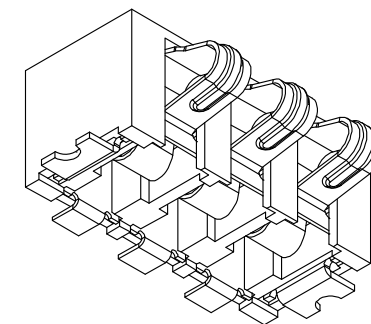


性能:

- 额定电流: 2.0A TOL:(±0.05)
 额定电压: 12V
 耐电压: 500V
 接触电阻: 30mΩ
 绝缘电阻: 500MΩ
 工作温度: -40℃~+85℃
 塑料(材质): LCP
 接触点(材质): 铜合金, 触点镀金3U"
 使用寿命: 3000次以上

RECOMMENDED PCB LAYOUT



| PART NO. | DIM A | DIM B |
|-----------|-------|-------|
| BC-2-206A | 6.5 | 2.5 |
| BC-2-370A | 9.0 | 5.0 |
| BC-2-410A | 11.5 | 7.5 |
| BC-2-502A | 14.0 | 10.0 |
| BC-2-602A | 16.5 | 12.5 |

| NO. | PARTS | MATERIAL | QTY. | FINISHING |
|-----|------------------|-------------------|------|-----------|
| 2 | HOUSING | LCP | 1 | BLACK |
| 1 | CONTACT TERMINAL | PHOSPHORUS COPPER | 3 | Au PLATED |

东莞市朗顿电子科技有限公司

COPYRIGHT RESERVED, PLEASE DO NOT COPY.

| PART NAME | CONNECTOR | | DRAWING | G.B.Wu | DWG.No. | DS-BC-175 |
|-----------|-------------------------------|-------------------------------------|----------|---------|---------|------------|
| PART NO. | BC-2-206A 370A 410A 502A 602A | | CHECK | Q.L.Dai | REV. | A0 |
| UNIT | mm | | APPROVAL | SCALE | DATE | 29-06-2018 |
| ⊕ | TOLERANCE | UP TO 5 ABOVE 5 30 ~ ABOVE 30 | ANGLE | SCALE | PAGE | 1 OF 1 |
| | OTHERWISE | ±0.2 ±0.3 ±0.5 ±3' | 0°±3' | 2:1 | | |