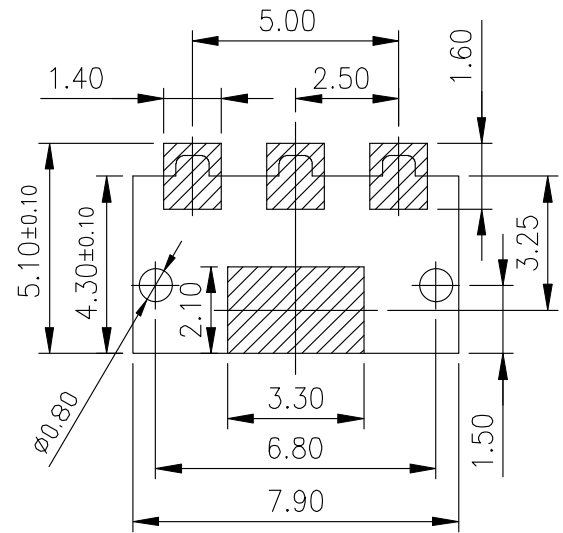
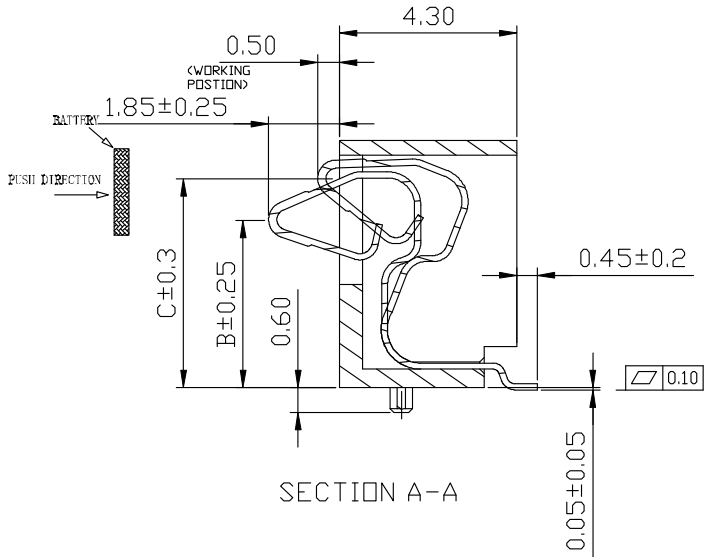
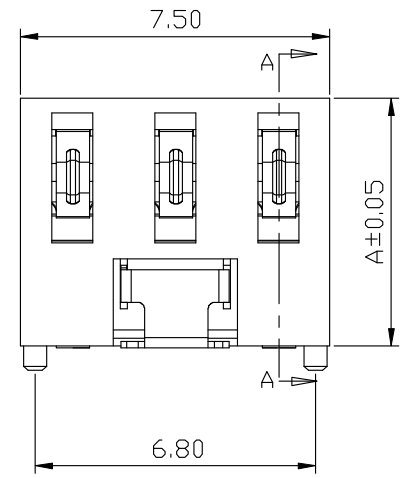
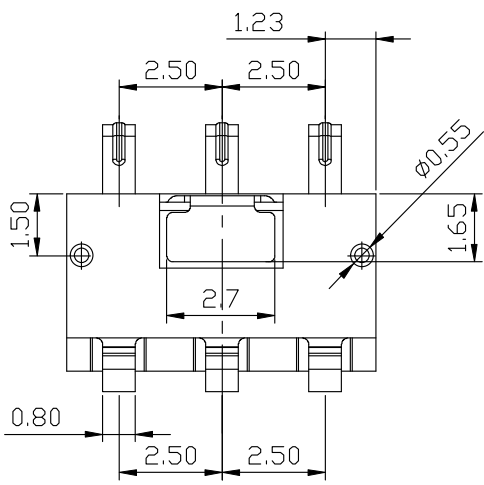


F E D C B A

1



2



3

性能:
 额定电流: 2.0A
 额定电压: 12V
 耐电压: 500V
 接触电阻: 30mΩ
 绝缘电阻: 500MΩ
 工作温度: -40℃~+85℃
 使用寿命: 3000次以上
 塑件(材质): LCP(黑色)
 接触点(材质): 锡磷青铜, 触点镀金2U",
 焊脚镀锡100U", 镍50-80U"
 固定片(材质): 黄铜,
 镀全雾锡100U", 镍底50-80U"
 环保要求: 符合ROHS限值。

| PART NO. | A | B | C |
|-----------|-----|-----|-----|
| BC-2-366 | 5.4 | 3.8 | 4.6 |
| BC-2-366A | 6.0 | 4.4 | 5.2 |
| BC-2-366B | 6.5 | 4.9 | 5.7 |
| BC-2-366C | 7.0 | 5.4 | 6.2 |
| BC-2-366D | 7.5 | 5.9 | 6.7 |
| BC-2-366E | 8.0 | 6.4 | 7.2 |

4

| PARTS | NO. | DESCRIPTION | MATERIAL | QTY. | FINISHING |
|------------------|-----|-------------|-----------------|------|-----------|
| HOUSING | 2 | | LCP | 1 | BLACK |
| CONTACT TERMINAL | 1 | | PHOSPHOR BRONZE | 3 | Au PLATED |

东莞市朗顿电子科技有限公司

COPYRIGHT RESERVED, PLEASE DO NOT COPY.

| | | | | | | |
|--------------|-----------------------------------|----------------------------|----------|---------|---------|------------|
| PART NAME | CONNECTOR | | DRAWING | G.B.Wu | DWG.No. | DS-BC-115 |
| PART NO. | BC-2-366/366A/366B/366C/366D/366E | | CHECK | Q.L.Dai | REV. | A0 |
| UNIT : mm | TOLERANCE | UP TO 5 ABOVE 5 30 ~ | APPROVAL | SCALE | DATE | 10-09-2017 |
| | OTHERWISE | ANGLE ABOVE 30 ANGLE | | | PAGE | 1 OF 1 |

F E D C B A