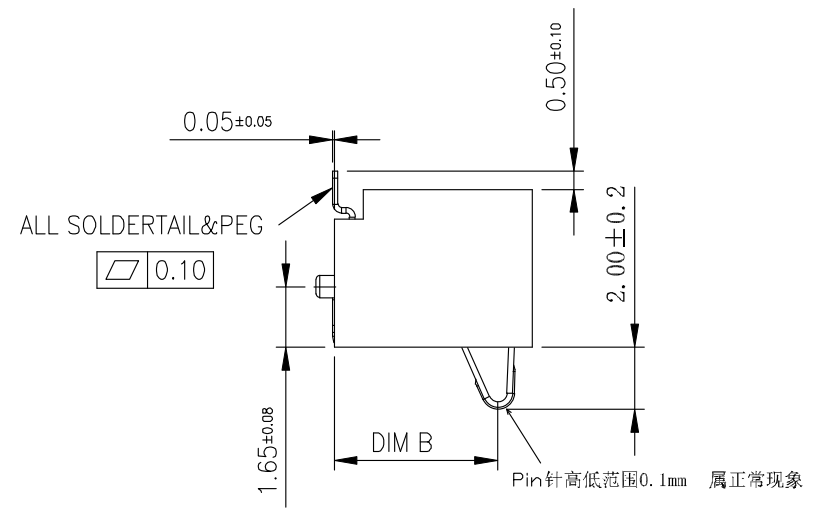
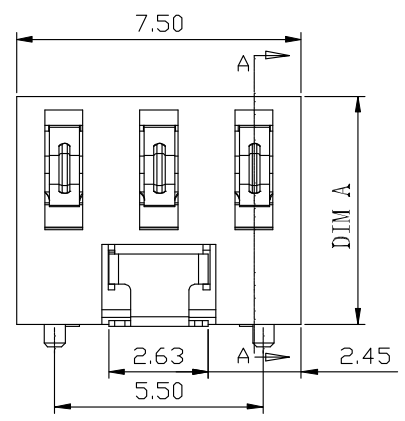
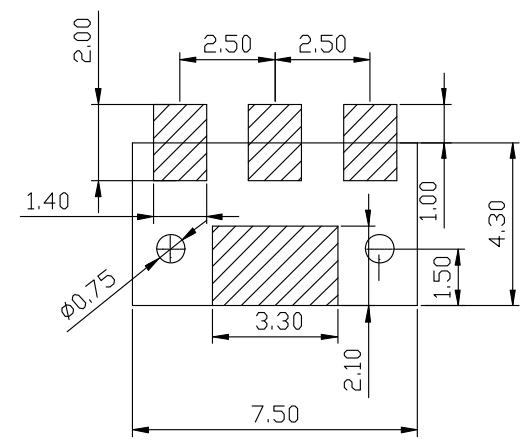
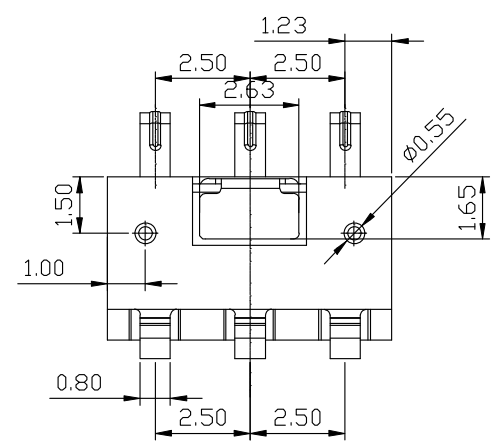


F E D C B A

1



2



性能:
 额定电流: 2.0A
 额定电压: 12V
 耐电压: 500V
 接触电阻: 30mΩ
 绝缘电阻: 500MΩ
 工作温度: -40℃~+85℃
 塑件(材质): LCP
 接触点(材质): 磷铜, 镀金

3

4

PART NO.	DIM A	DIM B	2	HOUSING	LCP	1	BLACK
BC-2-365	6.0	4.7	1	CONTACT TERMINAL	PHOSPHOR BRONZE	3	Au PLATED
BC-2-365A	7.0	5.6	NO.	PARTS	MATERIAL	QTY.	FINISHING

东莞市朗顿电子科技有限公司

PART NAME		CONNECTOR		DRAWING		G.B.Wu		DWG.No.		DS-BC-117	
PART NO.		BC-2-365/365A		CHECK		Q.L.Dai		REV.		A0	
UNIT : mm	TOLERANCE OTHERWISE	UP TO 5	±0.2	ANGLE	APPROVAL	DATE	10-09-2017	PAGE	1 OF 1		
		ABOVE 5 30 ~	±0.3								
		ABOVE 30	±0.5	0°±3'	SCALE	2:1					

COPYRIGHT RESERVED, PLEASE DO NOT COPY.

F E D C B A