

F

E

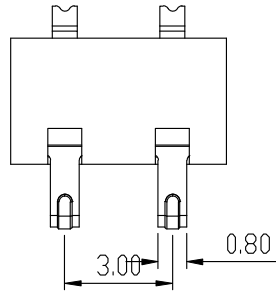
D

C

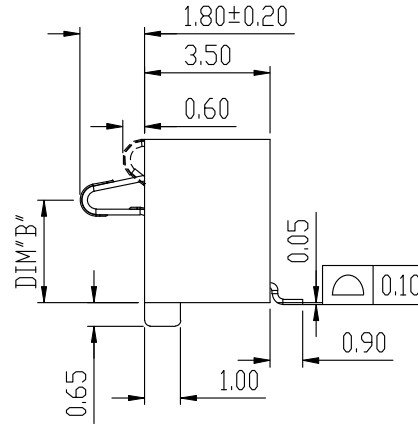
B

A

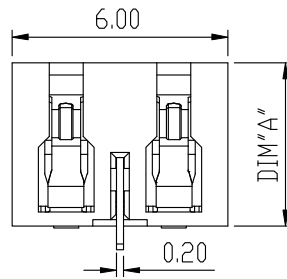
1



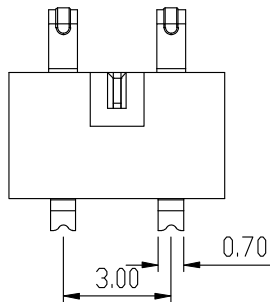
2



3



4



性能:

额定电流: 2.0A

额定电压: 12V

耐电压: 500V

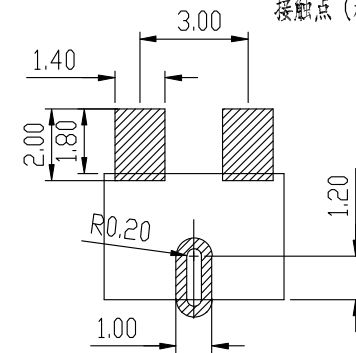
接触电阻: 30mΩ

绝缘电阻: 500MΩ

工作温度: -40°C~+85°C

塑件(材质): LCP

接触点(材质): 磷铜, 镀金



RECOMMENDED PCB LAYOUT

TOL:(±0.05)

PART NO.	DIM A	DIM B
BC-2-239-C01	4.6	2.9
BC-2-239A-C01	5.0	3.3
BC-2-239B-C01	6.5	4.8
BC-2-239C-C01	7.2	5.5

NO.	PARTS	MATERIAL	QTY.	FINISHING
2	HOUSING	LCP	1	BLACK
1	CONTACT TERMINAL	PHOSPHOR BRONZE	3	Au PLATED

东莞市朗顿电子科技有限公司

COPYRIGHT RESERVED, PLEASE DO NOT COPY.

PART NAME		CONNECTOR		DRAWING	G.B.Wu	DWG.No.	DS-BC-134
PART NO.		BC-2-239/239A/239B/239C-C01		CHECK	Q.L..Dai	REV.	A0
UNIT :	TOLERANCE	UP TO 5	±0.2	APPROVAL	SCALE	DATE	15-09-2019
	OTHERWISE	ABOVE 5 TO ABOVE 30	±0.3 ±0.5			ANGLE	PAGE
mm		ANGLE	0°±3'	SCALE	2:1	PAGE	1 OF 1

F

E

D

C

B

A