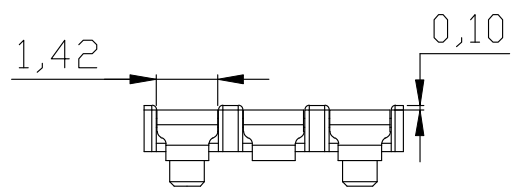
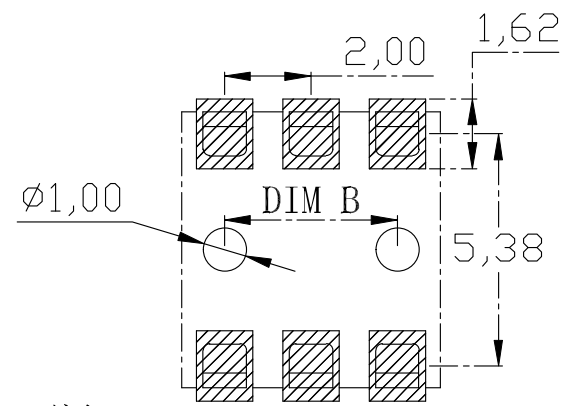
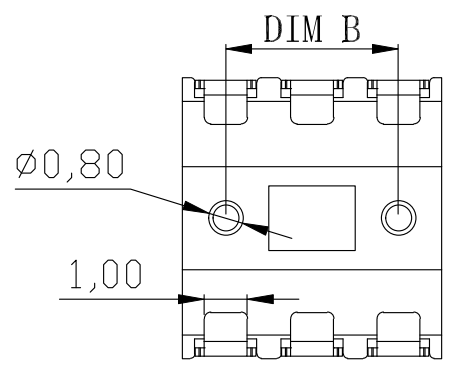
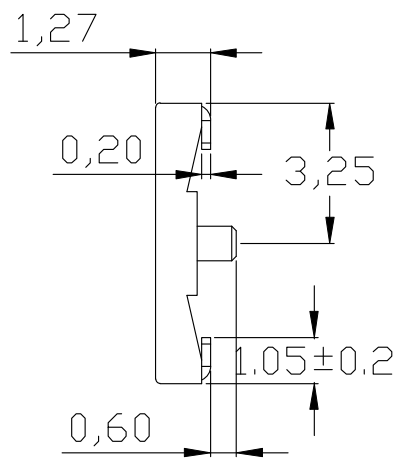
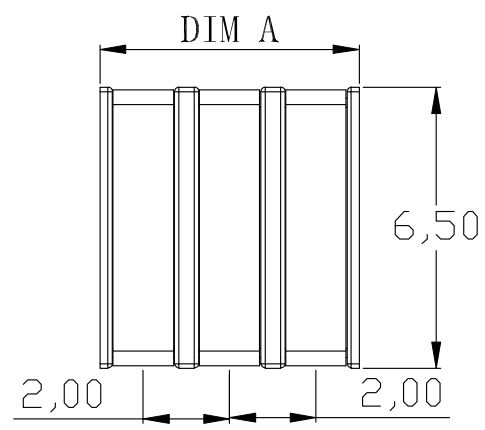
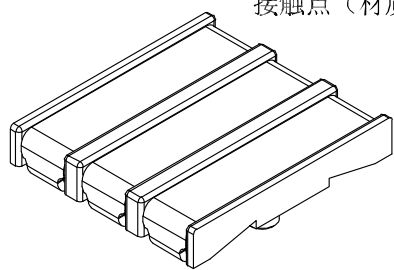


F E D C B A



性能:

- 额定电流: 5.0A
- 额定电压: 30V
- 耐电压: 500V
- 接触电阻: 30mΩ
- 绝缘电阻: 500MΩ
- 工作温度: -55℃~+125℃
- 使用寿命: 10000次以上
- 塑件(材质): PA9T黑色
- 接触点(材质): 黄铜C2680, 镀金



RECOMMENDED PCB LAYOUT
TOP VIEW (. XX ± 0.05)

规格	DIM A	DIM B
BC-0-204	4.0	2.0
BC-0-305	6.0	4.0
BC-0-405	8.00	6.0
BC-0-504	10.0	8.0
BC-0-603	12.0	10.0
BC-0-701	14.0	12.0
BC-0-801	16.0	14.0

NO.	PARTS	MATERIAL	QTY.	FINISHING
2	HOUSING	PA9T	1	BLACK
1	CONTACT TERMINAL	BRASS	3	Au PLATED

东莞市朗顿电子科技有限公司

PART NAME	CONNECTOR		DRAWING	G.B.Wu	DWG.No.	DS-BC-101
PART NO.	BC-0-204 305 405 504 603 701 801		CHECK	Q.L.Dai	REV.	A0
UNIT : mm	TOLERANCE	UP TO 5 ABOVE 5 30 ~	APPROVAL	SCALE	DATE	28-08-2017
	OTHERWISE	±0.2 ±0.3 ±0.5 ±3'			PAGE	1 OF 1

COPYRIGHT RESERVED, PLEASE DO NOT COPY.

F E D C B A