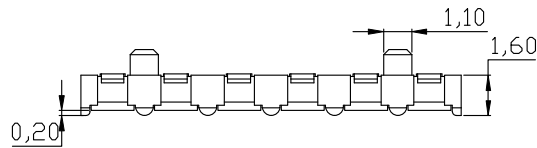
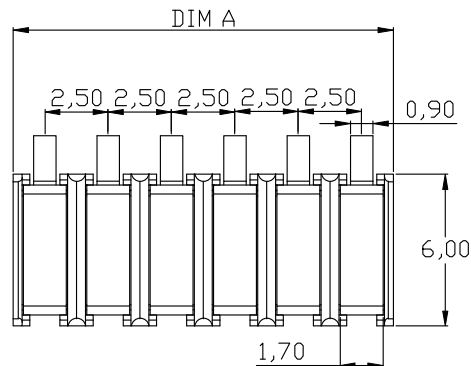


F E D C B A

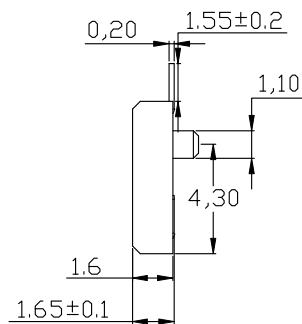
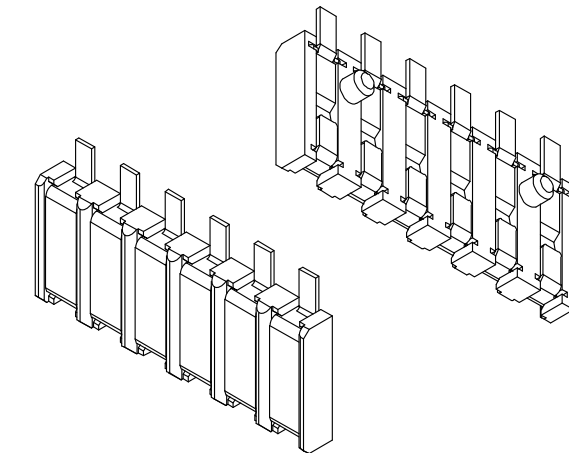
1



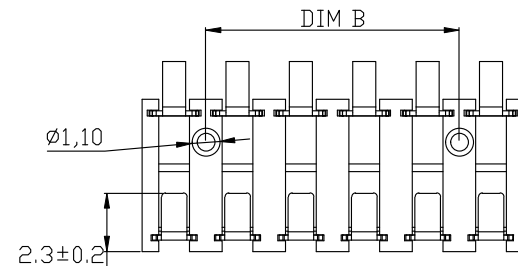
2



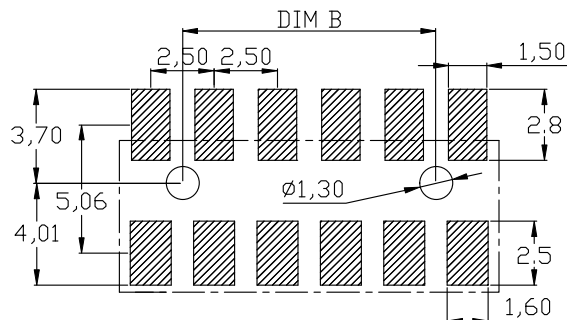
3



1



2



3

性能:

- 额定电流: 3.0A
- 额定电压: 60V
- 耐电压: 500V
- 接触电阻: 30mΩ
- 绝缘电阻: 500MΩ
- 工作温度: -55℃~+125℃
- 使用寿命: 10000次以上
- 塑件(材质): PA9T/LCP
- 接触点(材质): 黄铜C2680, 接触面镀金3U, 焊脚镀金1U

RECOMMENDED PCB LAYOUT
TOP VIEW (. XX ± 0.05)

规格	DIM A	DIM B
BC-0-202	5.0	
BC-0-303	7.5	2.5
BC-0-401	10.0	5.0
BC-0-502	12.5	7.5
BC-0-601	15	10.0

NO.	PARTS	MATERIAL	QTY.	FINISHING
2	HOUSING	PA9T	1	BLACK
1	CONTACT TERMINAL	BRASS	3	Au PLATED

东莞市朗顿电子科技有限公司

PART NAME	CONNECTOR		DRAWING	G.B.Wu	DWG.No.	DS-BC-101
PART NO.	BC-0-202 303 401 502 601		CHECK	Q.L.Dai	REV.	A0
UNIT : mm	TOLERANCE	UP TO 5 ±0.2 ABOVE 5 30 ~ ±0.3	APPROVAL	SCALE	DATE	28-08-2017
	OTHERWISE	ABOVE 30 ±0.5 ±3°			PAGE	1 OF 1

COPYRIGHT RESERVED, PLEASE DO NOT COPY.

F E D C B A