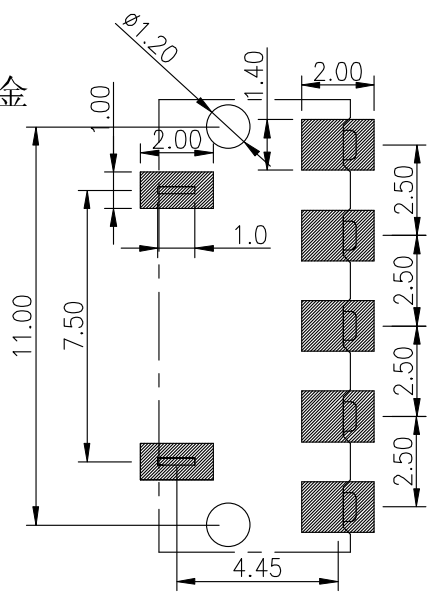
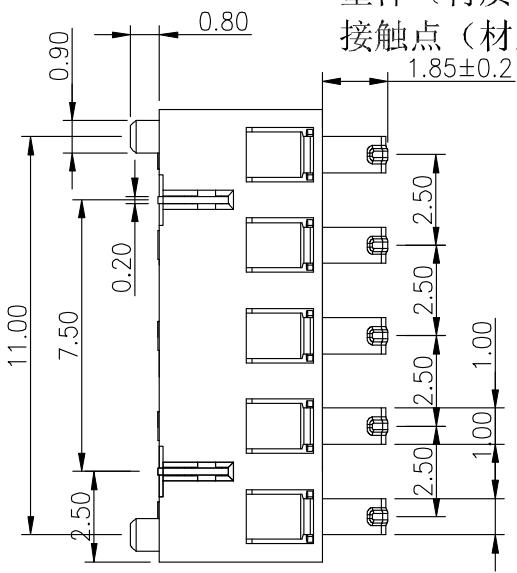
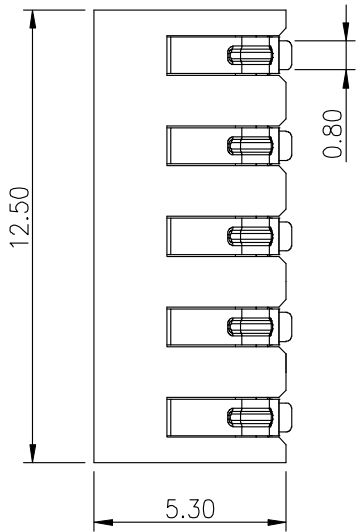
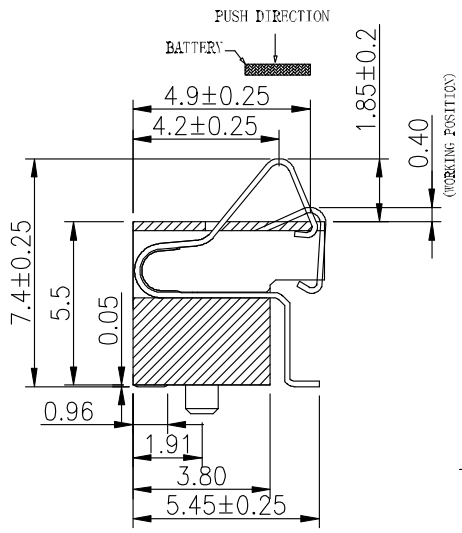


F E D C B A

性能:

额定电流: 2.0A  
 额定电压: 12V  
 耐电压: 500V  
 接触电阻: 30mΩ  
 绝缘电阻: 500MΩ  
 工作温度: -40℃~+85℃  
 塑件(材质): LCP  
 接触点(材质): 磷铜, 镀金



RECOMMENDED PCB LAYOUT  
 TOP VIEW (.XX±0.05)

2	HOUSING	LCP	1	BLACK
1	CONTACT TERMINAL	PHOSPHOR BRONZE	3	Au PLATED
NO.	PARTS	MATERIAL	QTY.	FINISHING

东莞市朗顿电子科技有限公司

COPYRIGHT RESERVED, PLEASE DO NOT COPY.

PART NAME		CONNECTOR		DRAWING	G.B.Wu	DWG.No.	DS-BC-130
PART NO.		BC-1-508		CHECK	Q.L..Dai	REV.	A0
UNIT :	TOLERANCE	UP TO 5	±0.2	ANGLE	APPROVAL	DATE	15-08-2019
		ABOVE 5 TO 30	±0.3				
mm	OTHERWISE	ABOVE 30	±0.5	0°±3'	2:1		

F E D C B A