

F

E

D

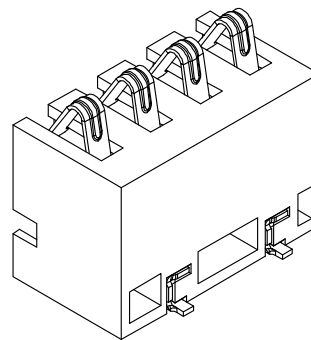
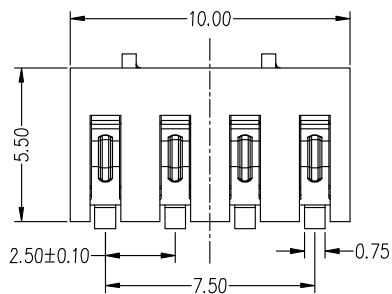
C

B

A

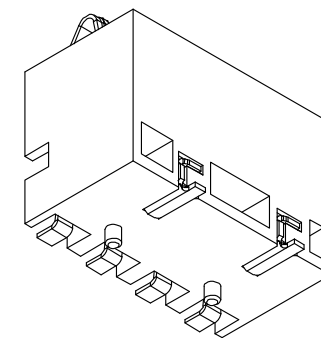
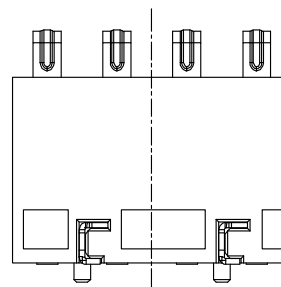
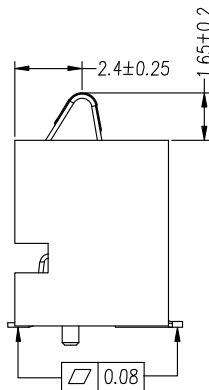
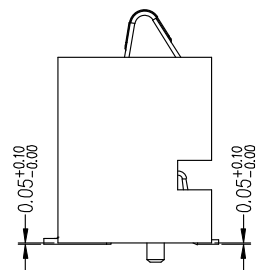
1

1



2

2



3

3

性能:

额定电流: 2.0A

额定电压: 12V

耐电压: 500V

接触电阻: 30mΩ

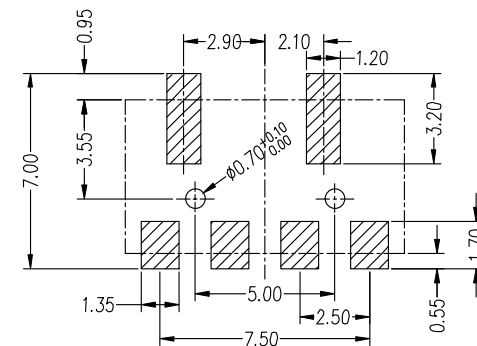
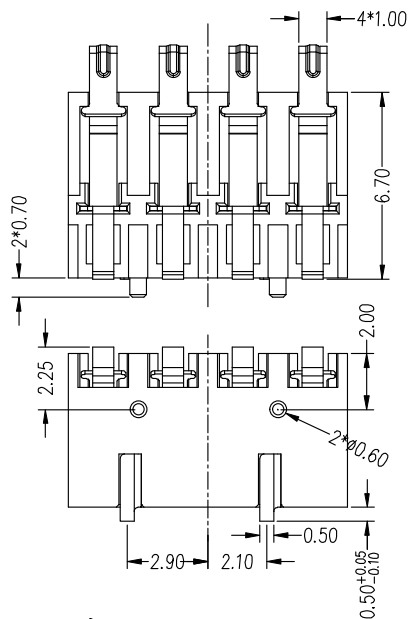
绝缘电阻: 500MΩ

工作温度: -40℃~+125℃

塑件(材质): LCP E130i(黑色) UL94-V0 E106764

接触点(材质): 锡磷青铜, 触点镀金3U", 焊脚镀金1U", 镍30-80U"

固定片(材质): 黄铜C2680, 镀全雾锡100U"以上, 镍底30-80U"



RECOMMENDED PCB LAYOUT
TOL:(±0.05)

4

4

2	HOUSING	LCP	1	BLACK
1	CONTACT TERMINAL	PHOSPHOR BRONZE	3	Au PLATED
NO.	PARTS	MATERIAL	QTY.	FINISHING

东莞市朗顿电子科技有限公司

COPYRIGHT RESERVED, PLEASE DO NOT COPY.

PART NAME		CONNECTOR		DRAWING	G.B.Wu	DWG.No.	DS-BC-195
PART NO.		BC-1-419		CHECK	Q.L.Dai	REV.	A0
UNIT : mm	TOLERANCE	UP TO 5	±0.2	APPROVAL	SCALE	DATE	16-08-2019
	OTHERWISE	ABOVE 5 30 ~	±0.3			PAGE	1 OF 1
		ABOVE 30	±0.5	ANGLE	2:1		
		ANGLE	±3°				

F

E

D

C

B

A