

F

E

D

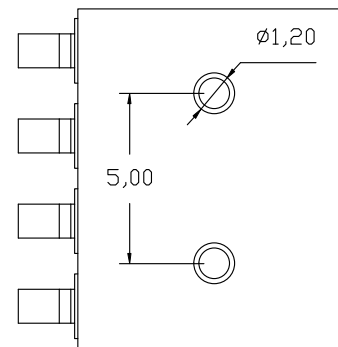
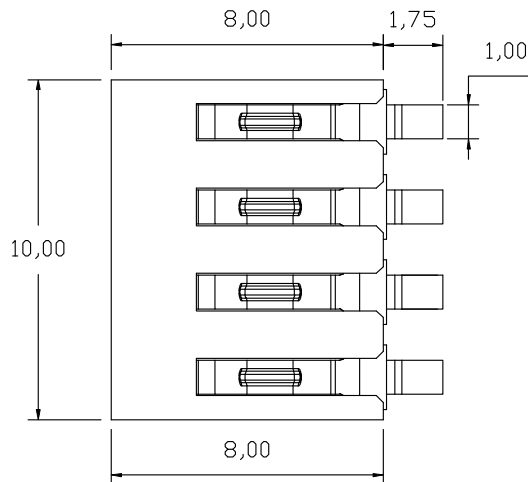
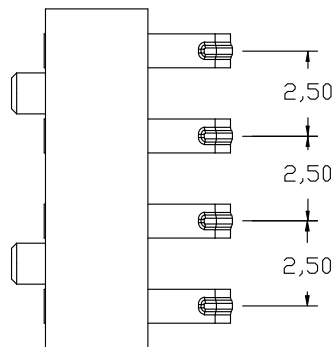
C

B

A

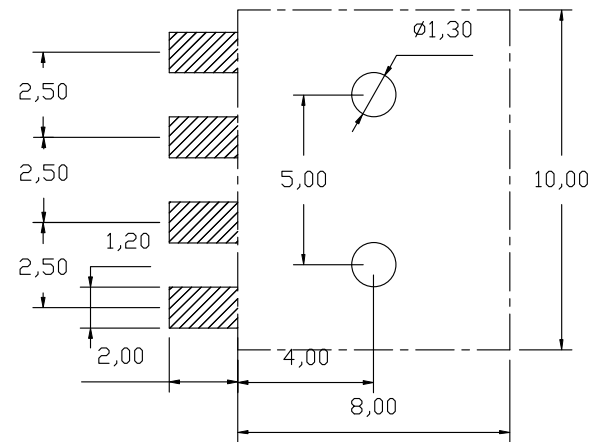
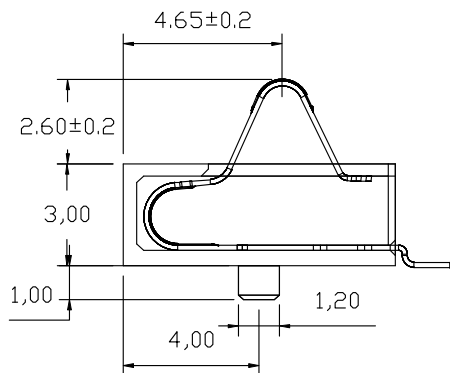
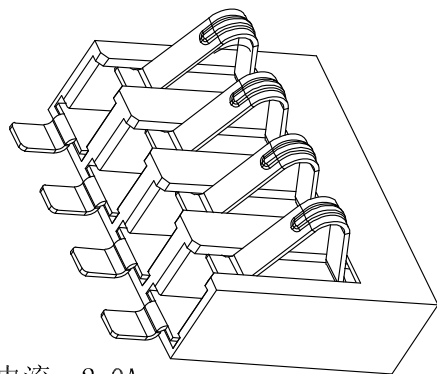
1

1



2

2



RECOMMENDED PCB LAYOUT
TOP VIEW (. XX±0.05)

3

3

性能:

- 额定电流: 2.0A
- 额定电压: 12V
- 耐电压: 500V
- 接触电阻: 30mΩ
- 绝缘电阻: 500MΩ
- 工作温度: -40℃~+85℃
- 塑件(材质): LCP
- 接触点(材质): 磷铜, 镀金

4

4

2	HOUSING	LCP	1	BLACK
1	CONTACT TERMINAL	PHOSPHOR BRONZE	3	Au PLATED
NO.	PARTS	MATERIAL	QTY.	FINISHING

东莞市朗顿电子科技有限公司

COPYRIGHT RESERVED, PLEASE DO NOT COPY.

PART NAME		CONNECTOR		DRAWING		G.B.Wu		DWG.No.		DS-BC-101	
PART NO.		BC-1-411		CHECK		Q.L.Dai		REV.		A0	
	UNIT : mm	TOLERANCE	UP TO 5	±0.2	ANGLE	APPROVAL	DATE	29-08-2017		PAGE	
		OTHERWISE	ABOVE 5 30 ~	±0.3							
			ABOVE 30	±0.5	SCALE		2:1				

F

E

D

C

B

A