

F

E

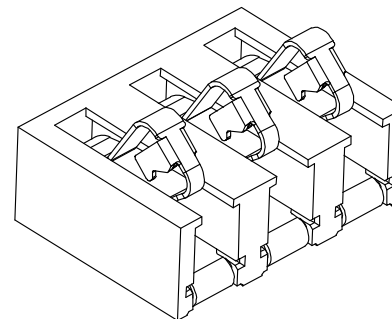
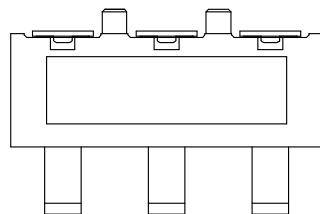
D

C

B

A

1



性能:

额定电流: 5.0A

额定电压: 30V

耐电压: 500V

接触电阻: 50mΩ Max

绝缘电阻: 500MΩ Min

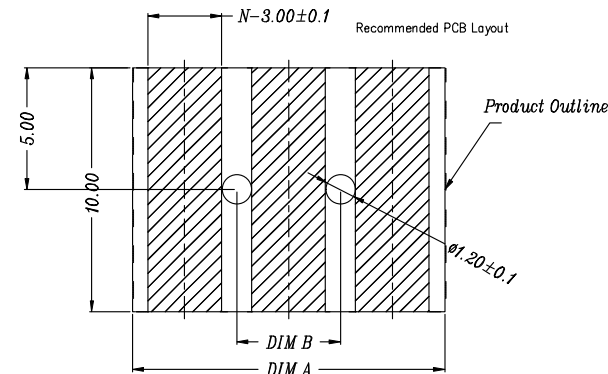
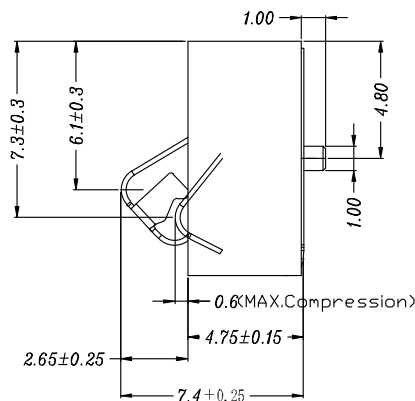
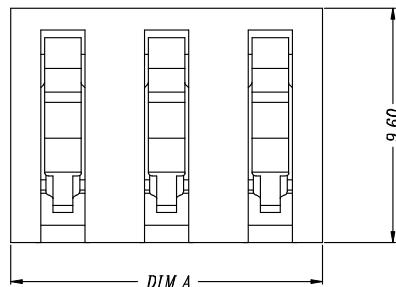
工作温度: -40℃~+85℃

塑件(材质): LCP

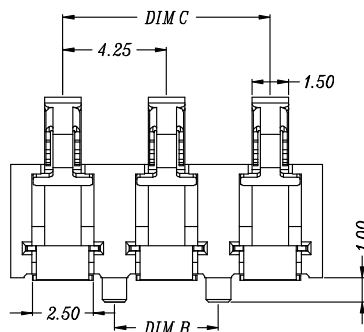
接触点(材质): 磷铜, 触点镀金3U"

使用寿命: 5000次以上

2



3



PIN(N)	PART NO.	DIM A	DIM B	DIM C
3Pin	BC-1-329	12.75	4.25	8.5
4Pin	BC-1-404	17.0	8.5	12.75
5Pin	BC-1-504	21.25	12.75	17.0
6Pin	BC-1-602	25.5	17.0	21.25

2	HOUSING	LCP	1	BLACK
1	CONTACT TERMINAL	PHOSPHOR BRONZE	3	Au PLATED
NO.	PARTS	MATERIAL	QTY.	FINISHING

东莞市朗顿电子科技有限公司

COPYRIGHT RESERVED,PLEASE DO NOT COPY.

PART NAME		CONNECTOR		DRAWING	G.B.Wu	DWG.No.	DS-BC-105
PART NO.		BC-1-329/404/504/602		CHECK	Q.L..Dai	REV.	A0
UNIT :	TOLERANCE	UP TO 5	±0.2	ANGLE	APPROVAL	DATE	15-08-2017
		ABOVE 5 30	±0.3				
mm	OTHERWISE	ABOVE 30	±0.5	0°±3'	2:1		

F

E

D

C

B

A

4

4