

F

E

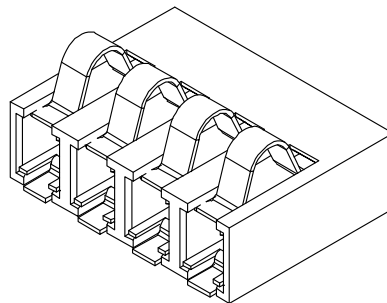
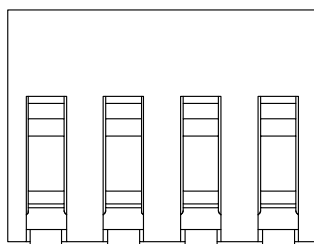
D

C

B

A

1



性能:

额定电流: 2.0A

额定电压: 12V

耐电压: 500V

接触电阻: 30mΩ

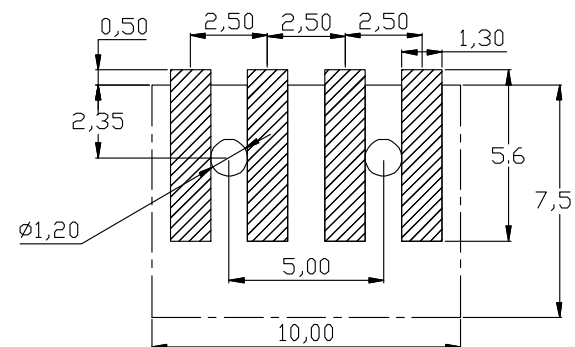
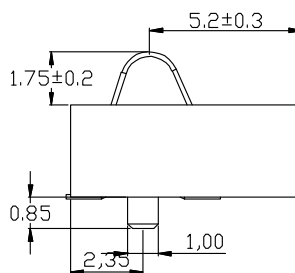
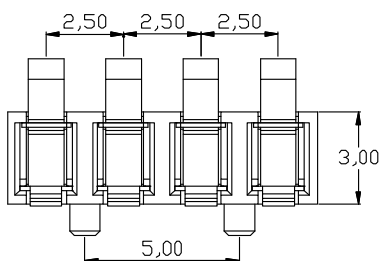
绝缘电阻: 500MΩ

工作温度: -40℃~+85℃

塑件(材质): LCP

接触点(材质): 磷铜, 镀金

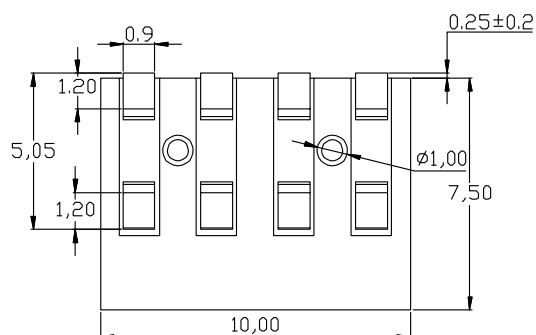
2



RECOMMENDED PCB LAYOUT

TOP VIEW(.XX±0.05)

3



4

2	HOUSING	LCP	1	BLACK
1	CONTACT TERMINAL	BeCu	3	Au PLATED
NO.	PARTS	MATERIAL	QTY.	FINISHING

东莞市朗顿电子科技有限公司

COPYRIGHT RESERVED,PLEASE DO NOT COPY.

PART NAME		CONNECTOR		DRAWING	Y.C.Zhang	DWG.No.	DS-BC-007
PART NO.		BC-1-402		CHECK	G.C.Chen	REV.	A0
UNIT :	TOLERANCE OTHERWISE	UP TO 5	±0.2	ANGLE	APPROVAL	DATE	05-11-2016
		ABOVE 5 30	±0.3				
mm		ABOVE 30	±0.5	0°±3'	SCALE	PAGE	1 OF 1
		ANGLE	±3'				

F

E

D

C

B

A