

F

E

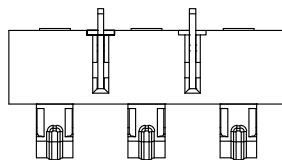
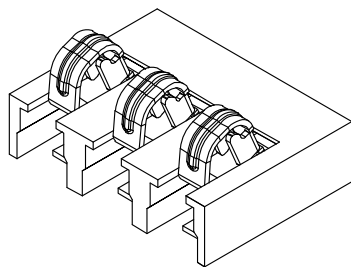
D

C

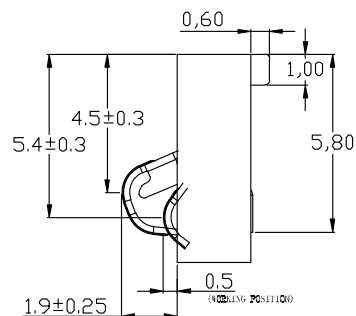
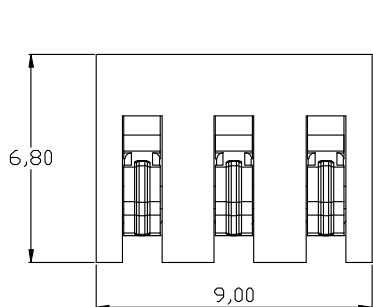
B

A

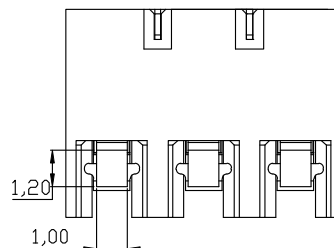
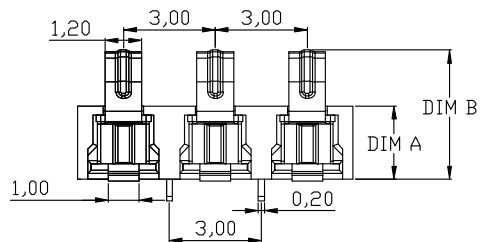
1



2



3



性能:

额定电流: 3.0A

额定电压: 24V

耐电压: 500V

接触电阻: 30mΩ MAX

绝缘电阻: 500MΩ

工作温度: -40℃~+85℃

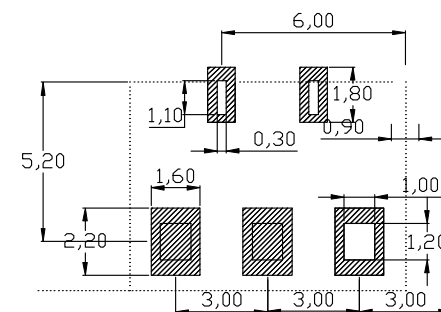
塑件(材质): LCP, 耐高温260℃

接触点(材质): 铜合金, 触点镀金3U

1

2

3



RECOMMENDED PCB LAYOUT  
TOP VIEW (.XX ± 0.05)

4

PART NO.	DIM A	DIM B	2	HOUSING	LCP	1	BLACK
BC-1-335-C01	2.4	4.30 ± 0.25	1	CONTACT TERMINAL	PHOSPHOR BRONZE	3	Au PLATED
BC-1-335A-C01	3.5	5.40 ± 0.25	NO.	PARTS	MATERIAL	QTY.	FINISHING

4

# 东莞市朗顿电子科技有限公司

PART NAME		CONNECTOR		DRAWING		G.B.Wu		DWG.No.		DS-BC-111	
PART NO.		BC-1-335/335A-C01		CHECK		Q.L.Dai		REV.		A0	
UNIT : mm	TOLERANCE	UP TO 5	±0.2	ANGLE	APPROVAL	DATE	PAGE	06-09-2017		1 OF 1	
	OTHERWISE	ABOVE 5 30 ~	±0.3					SCALE	2:1	0°±3'	

COPYRIGHT RESERVED, PLEASE DO NOT COPY.

F

E

D

C

B

A