

F

E

D

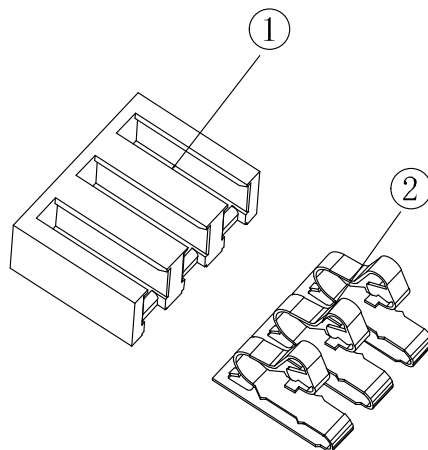
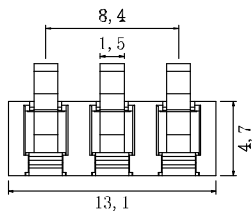
C

B

A

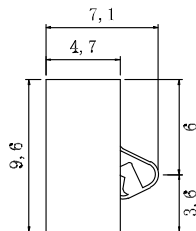
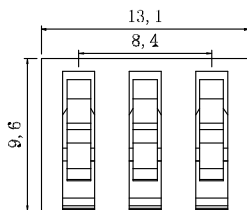
1

1



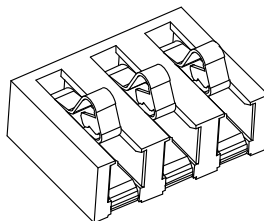
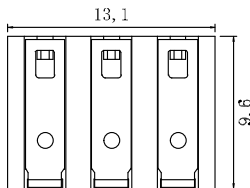
2

2



3

3



4

4

2	HOUSING	LCP	1	BLACK
1	CONTACT TERMINAL	PHOSPHOR BRONZE	3	Au PLATED
NO.	PARTS	MATERIAL	QTY.	FINISHING

东莞市朗顿电子科技有限公司

COPYRIGHT RESERVED, PLEASE DO NOT COPY.

PART NAME		CONNECTOR		DRAWING	G.B.Wu	DWG.No.	DS-BC-104
PART NO.		BC-1-327		CHECK	Q.L.Dai	REV.	A0
UNIT : mm	TOLERANCE	UP TO 5	±0.2	APPROVAL	SCALE	DATE	02-06-2017
	OTHERWISE	ABOVE 5 30 ~	±0.3			ANGLE	PAGE
		ABOVE 30	±0.5	0°±3'	2:1		

F

E

D

C

B

A