

F

E

D

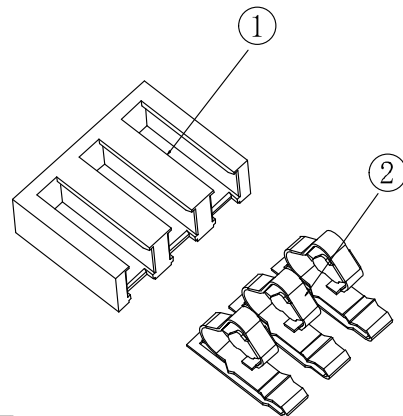
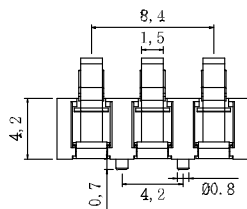
C

B

A

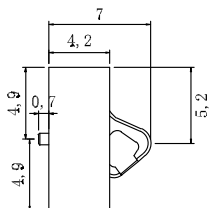
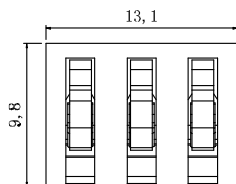
1

1



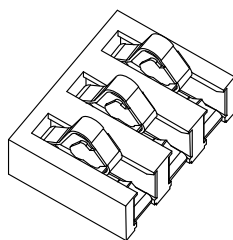
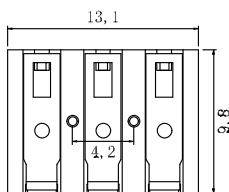
2

2



3

3



4

4

2	HOUSING	LCP	1	BLACK
1	CONTACT TERMINAL	SUS	3	Au PLATED
NO.	PARTS	MATERIAL	QTY.	FINISHING

东莞市朗顿电子科技有限公司

COPYRIGHT RESERVED, PLEASE DO NOT COPY.

PART NAME		CONNECTOR		DRAWING	G.B.Wu	DWG.No.	DS-BC-172
PART NO.		BC-1-326		CHECK	Q.L.Dai	REV.	A0
	UNIT : mm	TOLERANCE	UP TO 5	±0.2	ANGLE	DATE	02-09-2016
		OTHERWISE	ABOVE 5 30 ~	±0.3		SCALE	2:1
			ABOVE 30	±0.5	0°±3'		

F

E

D

C

B

A