

F

E

D

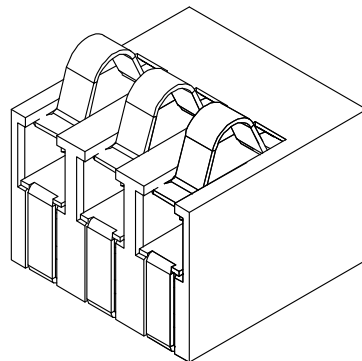
C

B

A

1

1



性能:

额定电流: 2.0A

额定电压: 12V

耐电压: 500V

接触电阻: 30mΩ

绝缘电阻: 500MΩ

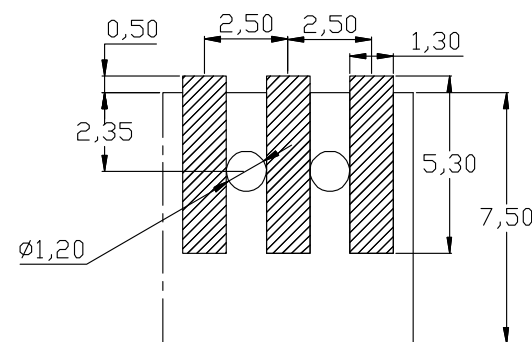
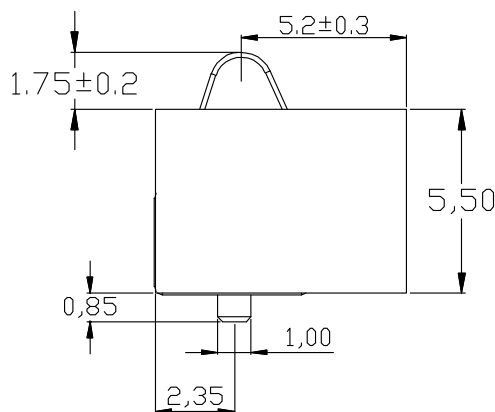
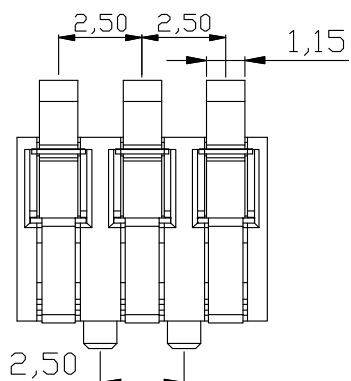
工作温度: -40℃~+85℃

塑件(材质): LCP

接触点(材质): 磷铜, 镀金

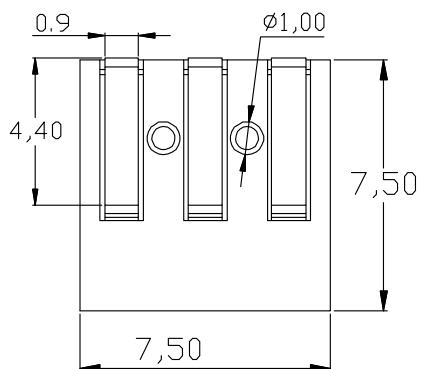
2

2



3

3

**RECOMMENDED PCB LAYOUT****TOP VIEW(. XX±0.05)**

4

4

2	HOUSING	LCP	1	BLACK
1	CONTACT TERMINAL	Phosphor bronze	3	Au PLATED
NO.	PARTS	MATERIAL	QTY.	FINISHING

# 东莞市朗顿电子科技有限公司

COPYRIGHT RESERVED, PLEASE DO NOT COPY.

PART NAME		CONNECTOR		DRAWING	G.B.Wu	DWG.No.	DS-BC-132
PART NO.		BC-1-322		CHECK	Q.L.Dai	REV.	A0
UNIT : mm	TOLERANCE	UP TO 5	±0.2	APPROVAL	DATE	PAGE	20-09-2017
	OTHERWISE	ABOVE 5 30 ~	±0.3				
		ABOVE 30	±0.5				
		ANGLE	±3°				

F

E

D

C

B

A